

Catalog 02-01-FS

Complete

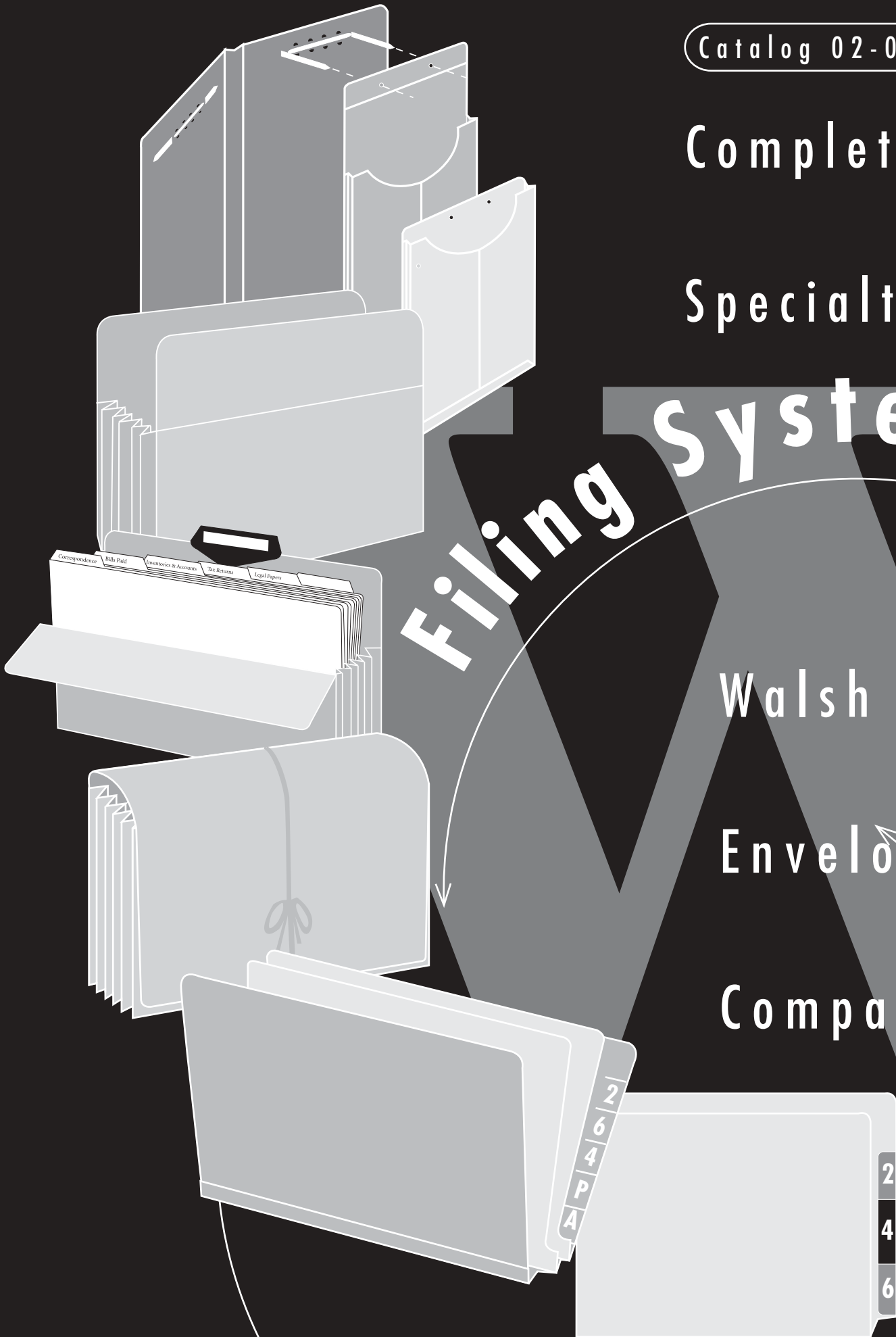
Specialty

Filing System

Walsh

Envelope

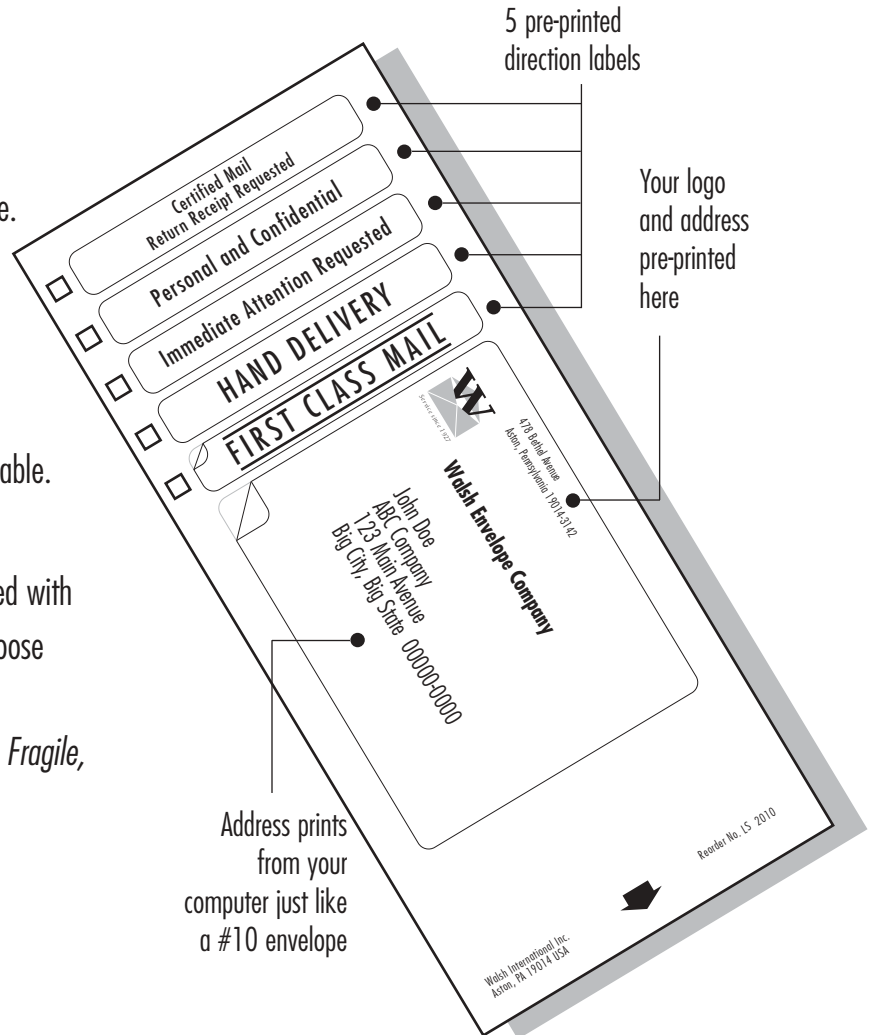
Company



Why waste labels?

Print one at a time from your own computer with Walsh Laser Singles!

- Carrier sheet is the same size as a #10 business envelope (4.125" x 9.5") for easy laser printing and formatting. Works with any envelope printing software.
- Actual Mailing Label size is 3.375" x 4.25".
- Permanent adhesive.
- Custom printed – 1,000 sheets minimum. Printed with your address and logo in black ink. Other colors available. One time typesetting charge of \$20.00
- 5 smaller size Direction Labels – .5" x 3.375" – printed with your choice of any 5 titles, custom design your own or choose from available titles (see titles in diagram). Other titles suggested: *By Messenger, Via Air Mail, Handle With Care, Fragile, Confidential and Rush.*



Product #	Quantity	Price Per/Thousand Printed
LS-2010	1,000	\$125.00
LS-2010	2,500	\$105.00
LS-2010	5,000	\$85.00
LS-2010	10,000	\$75.00

Call for pricing on larger quantities.

Extra rigid folders are made with color coded Type III Pressboard. Heavy duty enough to last for years. Good looking enough to take straight from file to presentation. Two tab styles to choose from.

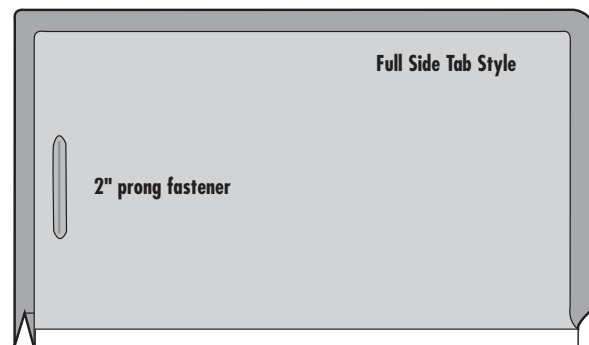
Pressboard Expansion Shelf Folder

Full Side Tab & Flexible Tyvek® Tape Expansion

Prong Fastener

Prod #	Size	Box/Ctn	None	One	Two
SF456-1	1" Expansion (letter)	25/125	0.77 ea	0.89 ea	1.01 ea
SF457-1	1" Expansion (legal)	25/125	0.99 ea	1.10 ea	1.22 ea
SF456-2	2" Expansion (letter)	25/125	0.99 ea	1.10 ea	1.14 ea
SF457-2	2" Expansion (legal)	25/125	1.17 ea	1.29 ea	1.41 ea
SF456-3	3" Expansion (letter)	25/125	1.16 ea	1.28 ea	1.41 ea
SF457-3	3" Expansion (legal)	25/125	1.50 ea	1.62 ea	1.74 ea

A-4 Metric Size Available. Call for quote on large quantities.



Color coded: red, blue, green, grey, bright red, bright blue, bright green, bright yellow (specify when ordering)

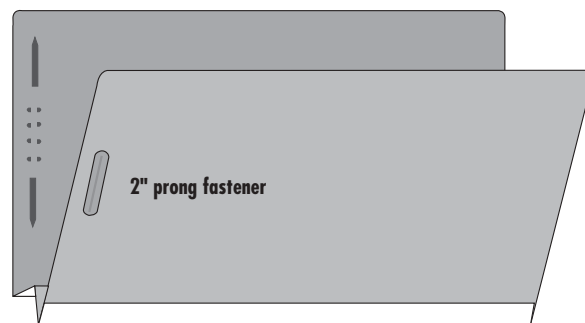
Pressboard Expansion Drawer Folder

Flexible Tyvek® Tape Expansion ■ Top Tab ■ Straight Cut

Prong Fastener

Prod #	Size	Box/Ctn	None	One	Two
TF456-1	1" Expansion (letter)	25/125	0.75 ea	0.87 ea	0.99 ea
TF457-1	1" Expansion (legal)	25/125	0.97 ea	1.09 ea	1.21 ea
TF456-2	2" Expansion (letter)	25/125	0.89 ea	1.01 ea	1.13 ea
TF457-2	2" Expansion (legal)	25/125	1.16 ea	1.28 ea	1.40 ea
TF456-3	3" Expansion (letter)	25/125	1.11 ea	1.23 ea	1.35 ea
TF457-3	3" Expansion (legal)	25/125	1.40 ea	1.45 ea	1.52 ea

A-4 Metric Size Available. Call for quote on large quantities.



Color coded: red, blue, green, grey, bright red, bright blue, bright green, bright yellow (specify when ordering)

Economy Ultra-Files... A sturdy alternative to pressboard classification folders. 14 point manila stock with double thick dividers. Two 2" capacity bonded fasteners in positions 1 & 3 and twin prong fasteners on the dividers. Reinforced full-cut tabs and poly-reinforced expansion gussets.

Economy Ultra-File Shelf Folder

Full Side Tab & Flexible Expansion

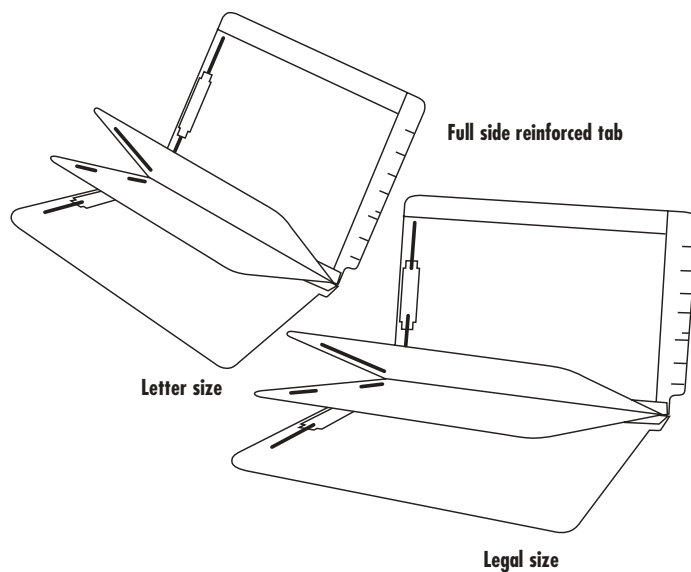
Letter Size Full Side Tab

Prod #	Expansion	Size/Dividers	Box/Ctn	Price
872-M1	2"	9.5 x 12.25 /1 divider	20/100	1.76 ea
873-M2	3"	9.5 x 12.25 /2 dividers	15/75	2.60 ea

Legal Size Full Side Tab

Prod #	Expansion	Size/Dividers	Qty/Ctn	Price
972-M1	2"	9.5 x 15.25 /1 divider	20/100	1.90 e
973-M2	3"	9.5 x 15.25 /2 dividers	15/75	2.70 ea

Call for quote on large quantities.



Walsh Classification Folders outclass ordinary folders ... flexible expansion, extra heavy-duty stock, 2" prong fastener and your choice of 1, 2 or 3 partitions.

Classification Shelf Folders

▪ Rigid Type III Pressboard ▪ 17 pt Kraft inside leaf ▪ Flexible Tyvek® Tape Expansion

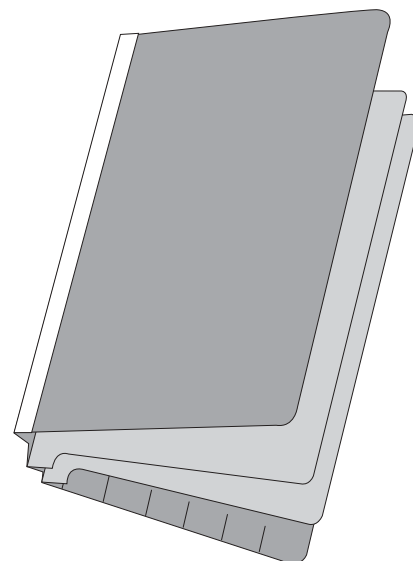
Prod #	Size	Box/Ctn	Partitions	Price
SFP-F751	Letter Size	10/50	1 Partition	2.08 ea
SFP-F752	Letter Size	10/50	2 Partitions	2.45 ea
SFP-F753	Letter Size	10/50	3 Partitions	3.15 ea
SFP-F761	Legal Size	10/50	1 Partition	2.91 ea
SFP-F762	Legal Size	10/50	2 Partitions	3.15 ea
SFP-F763	Legal Size	10/50	3 Partitions	3.91 ea

Call for quote on large quantities.

Full side tab style

2" prong fastener

Color coded:
red, blue, green,
grey, bright red,
bright blue, bright
green, bright yellow
(specify when
ordering)



Classification Drawer Folders

▪ Rigid Type III Pressboard ▪ 17pt Kraft inside leaf ▪ Flexible Tyvek® Tape Expansion

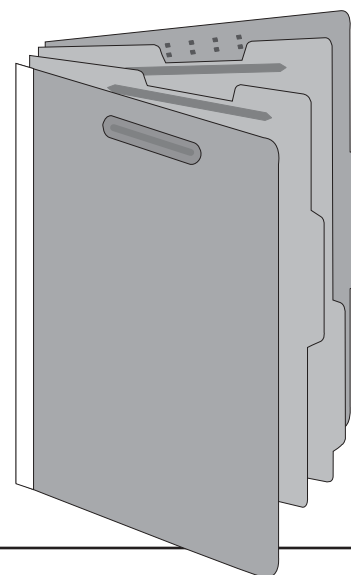
Prod #	Size	Box/Ctn	Partitions	Price
TP-F751	Letter Size	10/50	1 Partition	1.96 ea
TP-F752	Letter Size	10/50	2 Partitions	2.35 ea
TP-F753	Letter Size	10/50	3 Partitions	3.45 ea
TP-F761	Legal Size	10/50	1 Partition	2.20 ea
TP-F762	Legal Size	10/50	2 Partitions	2.69 ea
TP-F763	Legal Size	10/50	3 Partitions	3.91 ea

Call for quote on large quantities.

Top tab style

2" prong fastener

Color coded:
red, blue, green,
grey, bright red,
bright blue, bright
green, bright yellow
(specify when
ordering)



Walsh File Backers put weight behind your proposals. Tabs can be cut in any position.

File Backers

▪ 11 pt Manila Stock

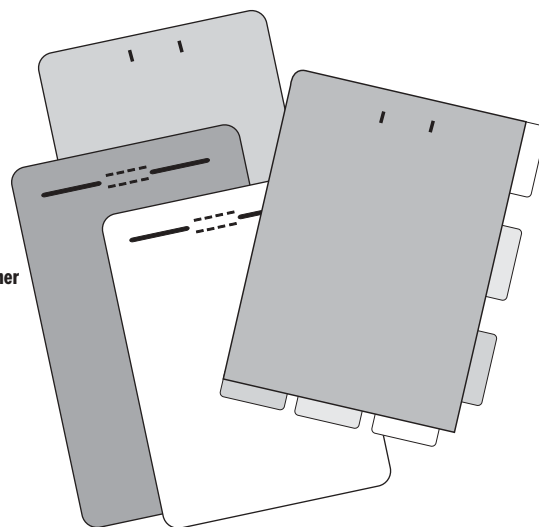
Product #	Size"	Box/Ctn	Slot Hole	1 Fastener
017 Letter	9 x 12 (229 mm x 305 mm)	100/500	.23 ea	.29 ea
016 Legal	9 x 14 (229 mm x 356 mm)	100/500	.26 ea	.31 ea

Call for quote on large quantities.

Two slot holes

2" prong fastener

Tabs can be on
the side or
bottom.



Our Extra Heavy Folders are extremely durable for long term, constant usage.

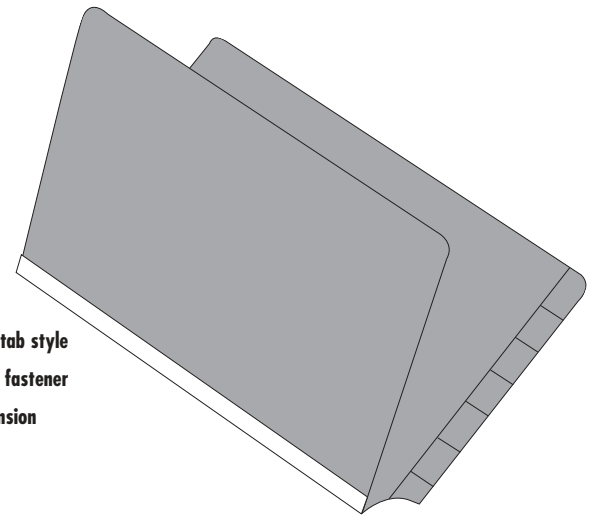
Extra Heavy Shelf Folder—Side Tab

Prong Fastener

Prod #	Letter	Box/Ctn	None	One	Two**
SF1400	14 pt Manila	100/500	.29 ea	.46 ea	.63 ea
SF1700	17 pt Manila	100/500	.36 ea	.53 ea	.69 ea
SF1700-K	17 pt Kraft	100/500	.36 ea	.53 ea	.69 ea
Legal		Box/Ctn	None	One	Two**
SF1400-L	14 pt Manila	100/500	.44 ea	.63 ea	.79 ea
SF1700-LK	17 pt Kraft	100/500	.44 ea	.63 ea	.79 ea

Call for quote on large quantities.

**Folders with 2 prong fasteners are packed 50/box, 250/Ctn



Full side tab style
2" prong fastener
No expansion

Extra Heavy Drawer Folder—Top Tab

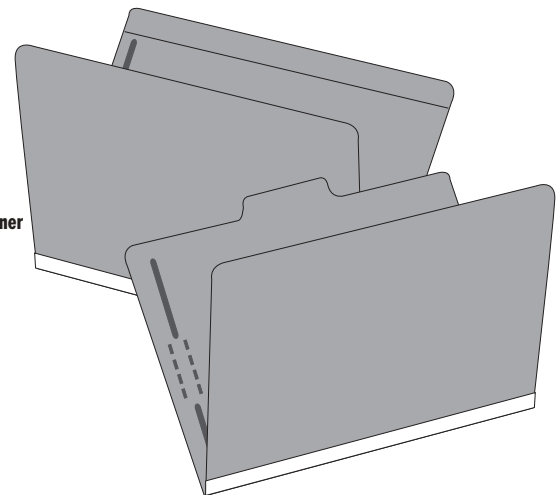
Prong Fastener

Prod #	Letter	Box/Ctn	None	One	Two**
R1100	11 pt Manila	100/500	.14 ea	.32 ea	.49 ea
R1400	14 pt Manila	100/500	.27 ea	.43 ea	.62 ea
RK1100	11 pt Brown Kraft	100/500	.17 ea	.34 ea	.51 ea
Legal		Box/Ctn	None	One	Two**
R1100 L	11 pt Manila	100/500	.19 ea	.37 ea	.55 ea
R14500 L	14 pt Manila	100/500	.31 ea	.48 ea	.65 ea
RK1100 L	11 pt Brown Kraft	100/500	.20 ea	.38 ea	.54 ea
*Metric Size		Box/Ctn	None	One	Two**
M0544	11 pt Manila	100/500	.21 ea	.38 ea	.55 ea

Call for quote on large quantities.

*9" x 14.25" (229 cm x 362 cm), 1/2 Top Tab. Assorted Positions

**Folders with 2 prong fasteners are packed 50/box, 250/Ctn



Top tab style
2" prong fastener
No expansion

Reinforced –
double thick
(can be tabbed
1/8, 1/4, 1/2, etc.)

New From Walsh Smead ClickStrip™ File Labeling System

Now you can color code and print all of your file information on a single label strip using your desktop color printer. Smead ClickStrip™ software helps you match your existing colors & design and gives you 20 presets for the most popular alphabetic and numeric indexing systems. Walsh stocks the Singles Labels for prompt delivery to keep you up and running. Start saving time and money with one-step labeling... call Walsh today for pricing and support.

Product code	Description
02785	Smead ClickStrip™ Starter Kit Includes software, 20 preset designs and 50 Singles labels
02780	Singles labels Package of 50 Singles Labels
02775	Smead ClickStrip™ Software Includes 20 preset designs



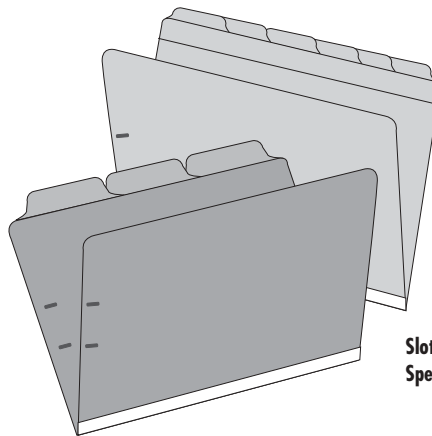
Metric file folders are designed to fit easily into legal or metric size file pockets. . . so you can put them to work in your domestic or foreign offices. Made of 11 pt. Manila stock with double thick top. Your choice of 1/8 or 1/6 cut tabs in individual or assorted positions.

Metric Size File Folders

9.5" x 14.125" (241 cm x 359 cm)

Prod #	Box/Ctn	Price each
544 (1/3 tab)	100/500	.1975 ea
516 (1/6 tab)	100/500	.2175 ea

Call for quote on large quantities.



Slot holes for 2-prong fasteners
Specify tab position when ordering

Walsh's application folders file and organize all pertinent materials from pre-application through final decree.

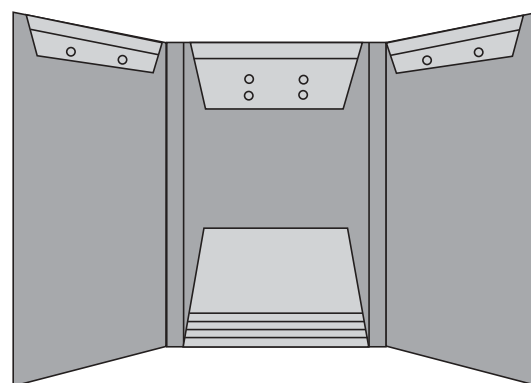
Application Folder

U.S. Patent & Trademark, Foreign Patent & Trademark, and Copyright Folders with easy-to-use pre-printed cover forms.

- 3 heavy duty panels ▪ 3 flaps with drilled holes ▪ Choose from 16 print copies
- 6 colors of stock- Manila, Yellow, Red, Blue, Salmon and Green
- 15 pt. Manila stock

Prod # (and Style)	50T (Straight Cut)
Stock Colors	Manila, Blue, Red, Yellow, Salmon and Green
Price ea in US \$	\$ 2.75* Printed, \$ 1.75 Unprinted

*Price per 100 quantity (call for quote on larger quantities)



Trifold style with 1" expansion
Call for quote on custom design

Get the jump on organization. Walsh Retention Style Jackets hold anything you need to keep but can't punch.

Retention Style Jackets

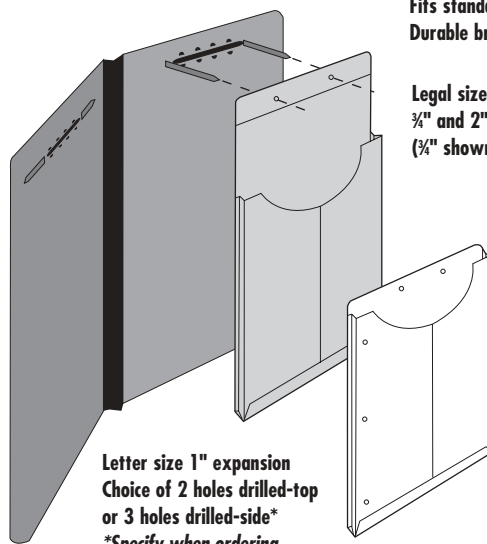


Perfect for items that cannot or should not be punched:

- Photographs ▪ Floppy Disks ▪ Tax Receipts ▪ Specimens ▪ Video Cassettes
- Evidence ▪ Maps ▪ Charts

Product Code 508 Legal Size - 3/4"		Product Code 511 Legal Size - 2"		Product Code 515 Letter Size - 1"	
Quantity	Price	Quantity	Price	Quantity	Price
100	.44 ea	100	.69 ea	100	.59 ea
250	.42 ea	250	.67 ea	250	.57 ea
500	.40 ea	500	.65 ea	500	.55 ea
1,000	.38 ea	1,000	.63 ea	1,000	.53 ea
250/Box		250/Box		100/Box	

Stocked for immediate shipment.



Fits standard size prong fasteners
Durable brown Kraft

Legal size available in
3/4" and 2" expansions
(3/4" shown)

White Kraft

Letter size 1" expansion
Choice of 2 holes drilled-top
or 3 holes drilled-side*
*Specify when ordering

Walsh Files are the pockets to pick. Long lasting 5-piece construction. Easy access with half height Tyvek® Gussets. Choose from Straight Cut, 4.5" Shelf Tab or Full Side Tab with 1.75", 3.5" or 5.25" expansion. Other stock products available. Custom products made to your specifications.

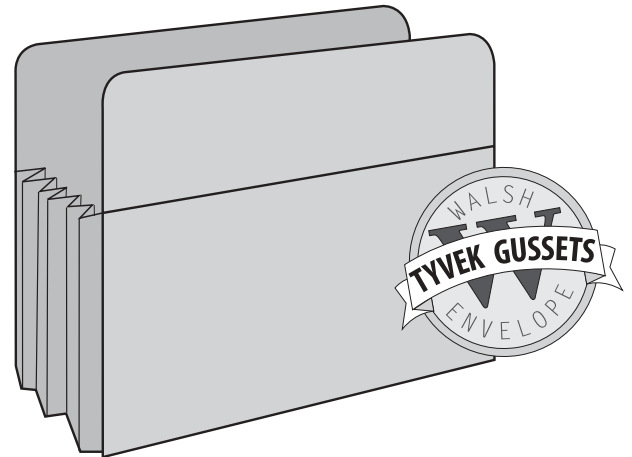
File Pockets – Straight Cut

▪ Expanding Pocket ▪ Straight Cut ▪ 5-Piece Construction ▪ Colored Tyvek® Gussets

Prod #	Size"	Color	Box/Ctn	Price
984	9.5 x 11.75 x 3.5 (letter)	Brown	25/100	1.44 ea
985	9.5 x 11.75 x 5.25 (letter)	Brown	25/100	1.56 ea
986	9.5 x 14.75 x 1.75 (legal)	Brown	50/200	1.30 ea
987	9.5 x 14.75 x 3.5 (legal)	Brown	25/100	1.47 ea
988	9.5 x 14.75 x 5.25 (legal)	Brown	25/100	1.60 ea
900	9.5 x 14.75 x 6.125 (legal)	Brown	25/100	1.95 ea

Call for quote on large quantities.

Gussets Available in 18 Bright Colors: Purple, Magenta, Dark Blue, White, Red, Light Green, Dark Green, Yellow, Orange, Dove Grey and more ... Call for quote.

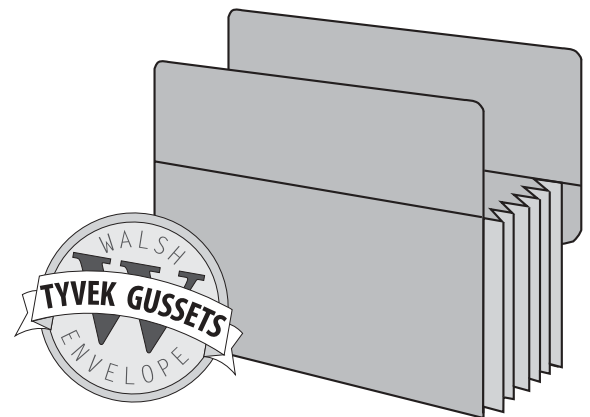


Shelf File Pockets – 4.5" Side Tab

▪ Expanding Pocket ▪ 4.5" Shelf Tab ▪ 5-Piece Construction ▪ Brown Tyvek® Gussets

Prod #	Size"	Color	Box/Ctn	Price
924	9.5 x 12.5 x 3.5 (letter)	Brown	25/100	1.53 ea
925	9.5 x 12.5 x 5.25 (letter)	Brown	25/100	1.76 ea
905	9.5 x 15.5 x 3.5 (legal)	Brown	25/100	1.60 ea
906	9.5 x 15.5 x 5.25 (legal)	Brown	25/100	1.79 ea

Call for quote on large quantities.



Shelf File Pockets – Full Side Tab

▪ Expanding Pocket ▪ 8" Side tab ▪ 5-Piece Construction ▪ Tyvek® Gussets

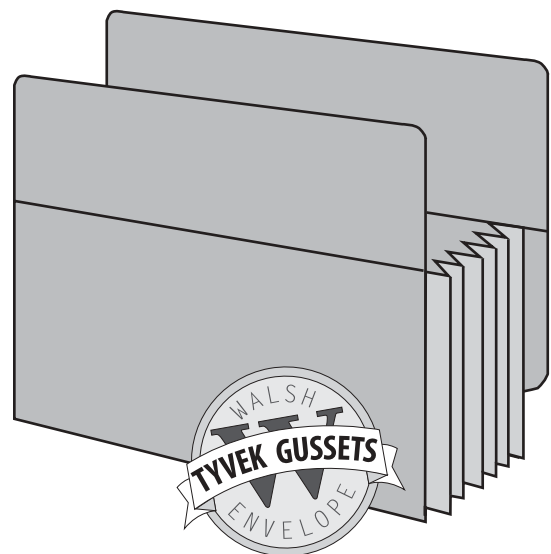
Prod #	Size"	Color	Box/Ctn	Price
996	9.5 x 12.5 x 1.75 (letter)	Brown	50/200	1.49 ea
997	9.5 x 12.5 x 3.5 (letter)	Brown	25/100	1.78 ea
998	9.5 x 12.5 x 5.25 (letter)	Brown	25/100	1.86 ea
980	9.5 x 15.5 x 1.75 (legal)	Brown	50/200	1.76 ea
981	9.5 x 15.5 x 3.5 (legal)	Brown	25/100	1.87 ea
982*	9.5 x 15.5 x 5.25 (legal)	Brown	25/100	1.89 ea

Metric sizes: Overall 241 cm x 362 cm

681	9.5 x 14.125 x 3.5	Brown	25/100	2.53 ea
682	9.5 x 14.125 x 5.25	Brown	25/100	2.85 ea

Call for quote on large quantities.

*Gussets Available in 18 Bright Colors: Purple, Magenta, Dark Blue, White, Red, Light Green, Dark Green, Yellow, Orange, Dove Grey and more ... Call for quote.



Total Color File Pockets stand out from all the others to make color coding quick and easy. Front, back and gusset are available in one of 4 bright colors: red, green, blue or goldenrod. Full side tab, 11 pt. color stock with your choice of Tyvek® or paper gussets. Letter or legal size with 1.75", 3.5" or 5.25" expansion.

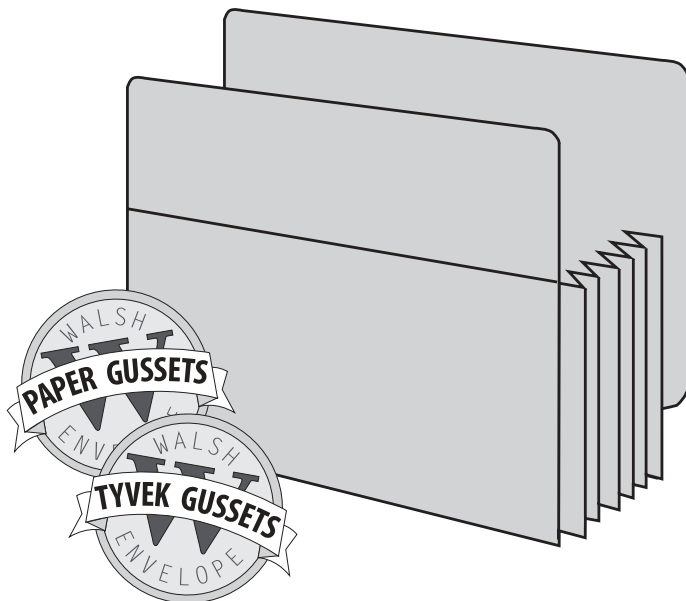
Color Economy Shelf File Pockets—Full Side Tab

Tyvek® Gussets

Prod #	Size"	Expansion	Box/Ctn	Price
CFST-1514TY	9.5 x 11.75 (letter)	1.75"	50/200	1.65 ea
CFST-1524TY	9.5 x 11.75 (letter)	3.5"	25/100	1.95 ea
CFST-1534TY	9.5 x 11.75 (letter)	5.25"	25/100	2.32 ea
CFST-1516TY	9.5 x 14.75 (legal)	1.75"	50/200	1.98 ea
CFST-1526TY	9.5 x 14.75 (legal)	3.5"	25/100	2.11 ea
CFST-1536TY	9.5 x 14.75 (legal)	5.25"	25/100	2.54 ea

Paper Gussets

Prod #	Size"	Expansion	Box/Ctn	Price
CFST-1514	9.5 x 11.75 (letter)	1.75"	50/200	1.32 ea
CFST-1524	9.5 x 11.75 (letter)	3.5"	25/100	1.43 ea
CFST-1534	9.5 x 11.75 (letter)	5.25"	25/100	1.71 ea
CFST-1516	9.5 x 14.75 (legal)	1.75"	50/200	1.46 ea
CFST-1526	9.5 x 14.75 (legal)	3.5"	25/100	1.56 ea
CFST-1536	9.5 x 14.75 (legal)	5.25"	25/100	1.86 ea



Color coded: red, green, blue, goldenrod (specify when ordering)

Walsh Six-Compartment Files won't let you get out of order. Six pre-printed Flip Folders nested in a heavy-duty file pocket make convenient "files within files."

Trust/Trial Files

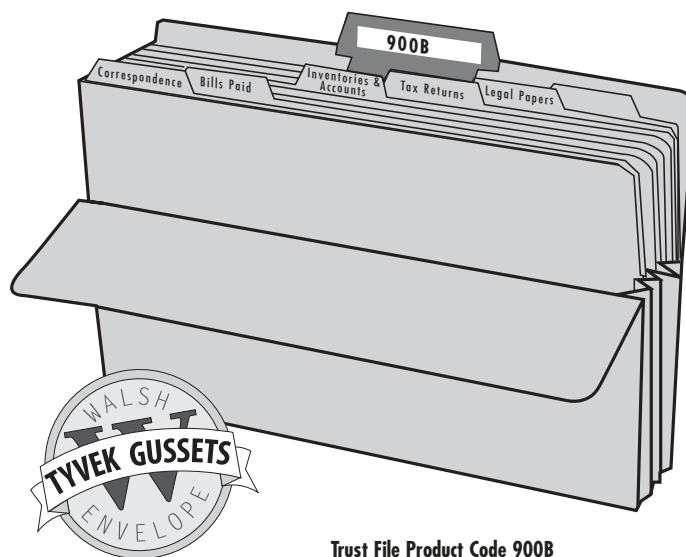
- Choice of three tab sets ▪ Legal Size Full 6.125" ▪ Expansion
- Metal Tab — Center position unless specified

Prod #	Name	Box/Ctn	Price
900-A	Trial File	25/100	5.95 ea
900-B	Trust File	25/100	5.95 ea
900-C (unprinted tab)	Multi-Use File	25/100	5.95 ea
900-MTC	No inserts	25/100	2.55 ea

Tabs Printed As Shown Below

Trial File — 900-A	Trust File — 900-B	Multi-Use File — 900-C
Correspondence	Correspondence	Plain (Unprinted)
Pleadings	Bills Paid	Plain (Unprinted)
Evidence	Inventories & Accounts	Plain (Unprinted)
Discovery	Tax Returns	Plain (Unprinted)
Brief	Legal Papers	Plain (Unprinted)
Trial Notes	Plain (Unprinted)	Plain (Unprinted)

Call for quote on large quantities.



Trust File Product Code 900B

Walsh precision crafted Economy Pockets use 11 point paper stock with Mylar reinforced paper gussets to give you exceptional value and quality. Choose from Straight Cut, 4.5" Shelf Tab or 8.25" Shelf Tab with 1.75", 3.5", or 5.25" expansion. **The gussets are 6.5" high.**

Economy Pockets

Straight Cut Top – No Tabs

Prod #	Size"	Expansion	Box/Ctn	Price
1514	9.5 x 11.75 (letter)	1.75"	50/200	0.645 ea
1524	9.5 x 11.75 (letter)	3.5"	25/100	0.702 ea
1534	9.5 x 11.75 (letter)	5.25"	25/100	0.75 ea
1516	9.5 x 14.75 (legal)	1.75"	25/100	0.704 ea
1526	9.5 x 14.75 (legal)	3.5"	25/100	0.741 ea
1536	9.5 x 14.75 (legal)	5.25"	10/100	0.785 ea

Shelf File 4.5" Shelf Tab – Half Side Tab

Prod #	Size"	Expansion	Box/Ctn	Price
1514C-ST	9.5 x 11.75 (letter)	1.75"	50/200	0.88 ea
1524E-ST	9.5 x 11.75 (letter)	3.5"	25/100	0.93 ea
1534G-ST	9.5 x 11.75 (letter)	5.25"	25/100	1.11 ea
1526E-ST	9.5 x 14.75 (legal)	3.5"	25/100	1.03 ea
1536G-ST	9.5 x 14.75 (legal)	5.25"	25/100	1.21 ea

Shelf File 8.25" Shelf Tab – Full Side Tab

Prod #	Size"	Expansion	Box/Ctn	Price
FST-1514	9.5 x 11.75 (letter)	1.75"	50/200	0.84 ea
FST-1524	9.5 x 11.75 (letter)	3.5"	25/100	0.91 ea
FST-1534	9.5 x 11.75 (letter)	5.25"	25/100	1.10 ea
FST-1516	9.5 x 14.75 (legal)	1.75"	50/200	0.90 ea
FST-1526	9.5 x 14.75 (legal)	3.5"	25/100	0.98 ea
FST-1536	9.5 x 14.75 (legal)	5.25"	25/100	1.19 ea

Call for quote on large quantities.

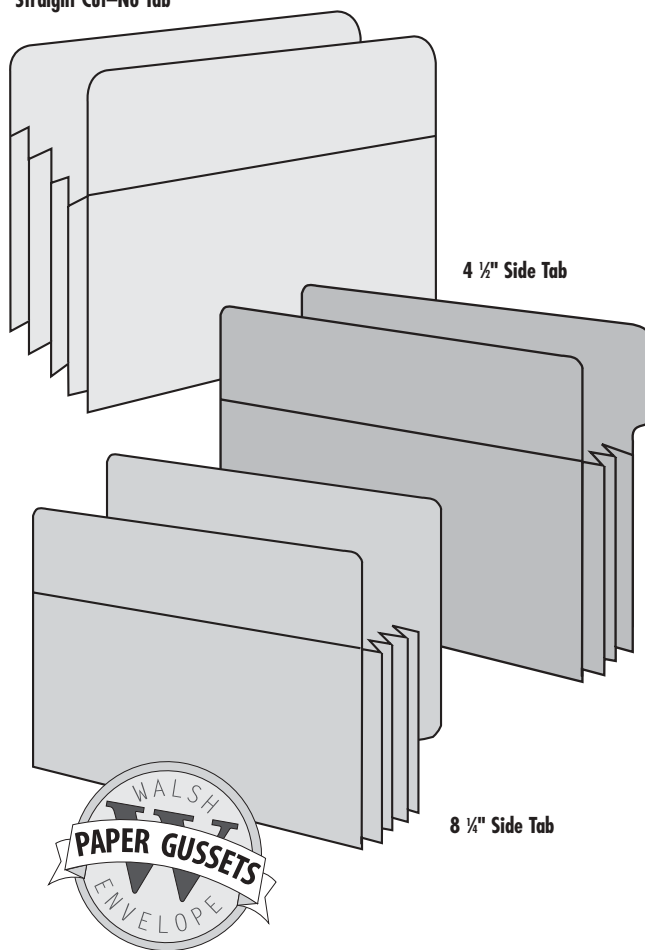
Shelf File Jackets/Closed Back

Unique closed back construction locks in documents when jacket is pulled from shelf. Open top and front for easy access. Made of 11 pt. Manila stock.

Prod #	Size"	Box	Price
E9245	9.5 x 12.25 (flat)	200	0.26 ea

Call for quote on large quantities.

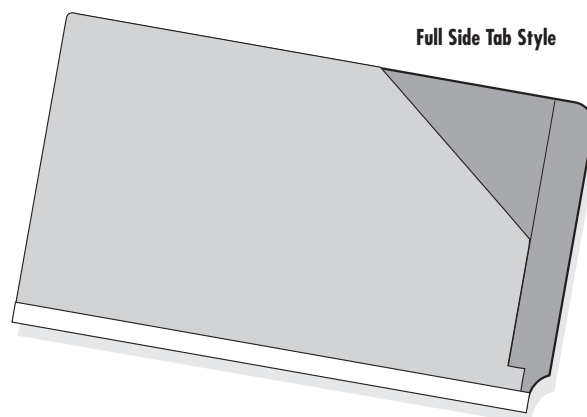
Straight Cut–No Tab



4 1/2" Side Tab

8 1/4" Side Tab

Full Side Tab Style



Expanding Jackets for all-around protection of your important inner files. Jackets can stand alone for easy access to your documents and folders. Gussets are full height and are constructed of durable red rope stock or completely surrounded by Tyvek® for long term usage.

Expanding Jackets

Full side tabs can be built in on right or left side for shelf filing.

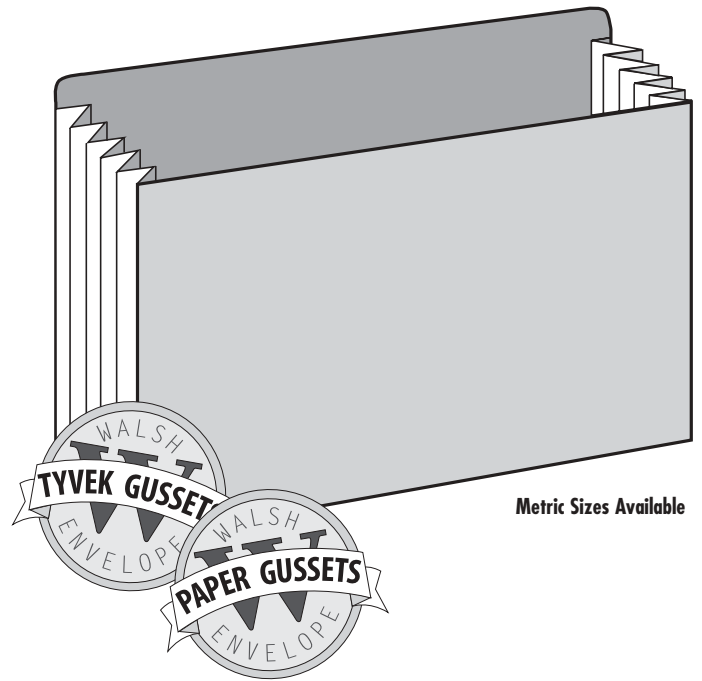
Tyvek® Gussets

Prod #	Size"	Color	Box/Ctn	Price
93M	9.5 x 11.75 x 5.25 (letter)	Brown	25/100	2.07 ea
932	9.5 x 14.75 x 3.5 (legal)	Brown	25/100	1.64 ea
933	9.5 x 14.75 x 5.25 (legal)	Brown	25/100	1.92 ea
936	10 x 15 x 3.5 (legal)	Brown	25/100	1.67 ea
937	10 x 15 x 5.25 (legal)	Brown	25/100	1.97 ea

Red Rope Paper Gussets

Prod #	Size"	Color	Box/Ctn	Price
93L	9.5 x 11.75 x 3.5 (letter)	Brown	25/100	0.97 ea
943	9.5 x 14.75 x 5.25 (legal)	Brown	25/100	1.25 ea
946	10 x 15 x 3.5 (legal)	Brown	25/100	1.08 ea
947	10 x 15 x 5.25 (legal)	Brown	25/100	1.28 ea

Call for quote on large quantities.



Manila File Jackets... An economical choice for first-rate filing. 11 pt. manila stock with .5" high full-length tab and thumb cuts for easy access. Available in two styles. Flat for non-bulky items. Expansion with full-length gussets and up to 2" capacity.

Manila File Jackets

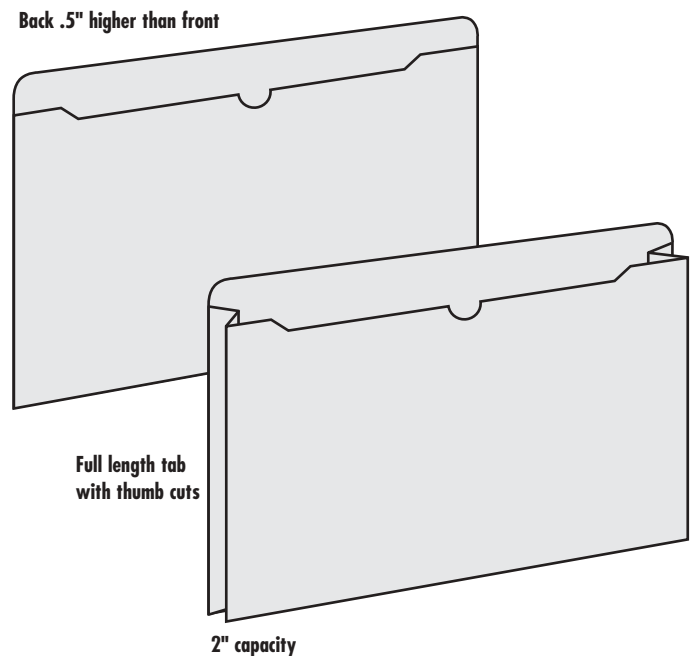
Flat

Prod #	Size"	Thickness	Box	Price
E9205	9.5 x 11.75 (letter)	Single thick	100	0.17 ea
E9208	9.5 x 11.75 (letter)	Reinforced back	100	0.20 ea
E9225	9.5 x 14.75 (legal)	Single thick	100	0.18 ea
E9226	9.5 x 14.75 (legal)	Reinforced back	100	0.23 ea

Expansion

Prod #	Size"	Thickness	Box	Price
E9214	9.5 x 11.75 x 1 (letter)	Reinforced back	100	0.38 ea
E9216	9.5 x 11.75 x 1.5 (letter)	Reinforced back	100	0.39 ea
E9220	9.5 x 11.75 x 2 (letter)	Reinforced back	100	0.40 ea
E9232	9.5 x 14.75 x 1 (legal)	Reinforced back	100	0.41 ea
E9235	9.5 x 14.75 x 1.5 (legal)	Reinforced back	100	0.42 ea
E9240	9.5 x 14.75 x 2 (legal)	Reinforced back	100	0.43 ea

Call for quote on large quantities.



Expanding Wallets, Flexacord Fastener

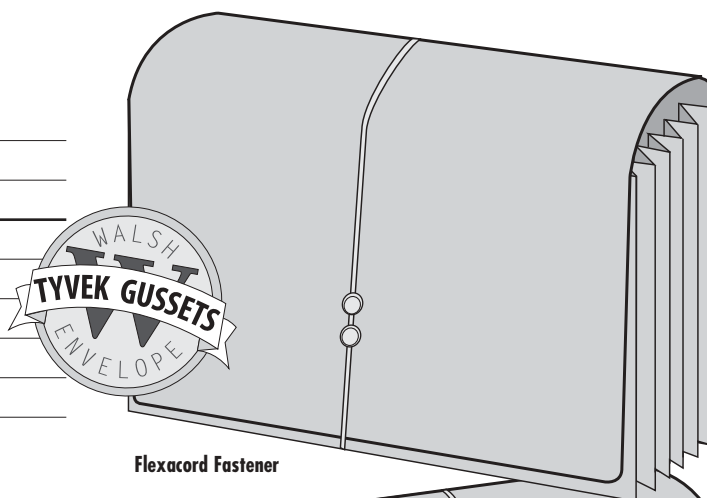
▪ Full Flap ▪ 3 Expanding Widths ▪ 5-Piece Construction ▪ Brown Tyvek® Gussets

Prod #	Size"	Box/Ctn	Price
93B**	9.5 x 11.5 x 3.5 (letter)	25/100	1.70 ea
93C*	9.5 x 11.75 x 5.25 (letter)	25/100	2.64 ea
910**	9.5 x 14.75 x 1.75 (legal)	25/100	1.76 ea
911	9.5 x 14.75 x 3.5 (legal)	25/100	2.22 ea
935	9.5 x 14.75 x 5.25 (legal)	25/100	2.52 ea
903*	10 x 15 x 3.5 (legal)	25/100	2.53 ea
929*	10 x 15 x 5.25 (legal)	25/100	2.85 ea

Call for quote on large quantities.

*Reinforced tape on flap

**Red wallet gussets



Flexacord Fastener

Expanding Wallets, Tie Tape Fastener

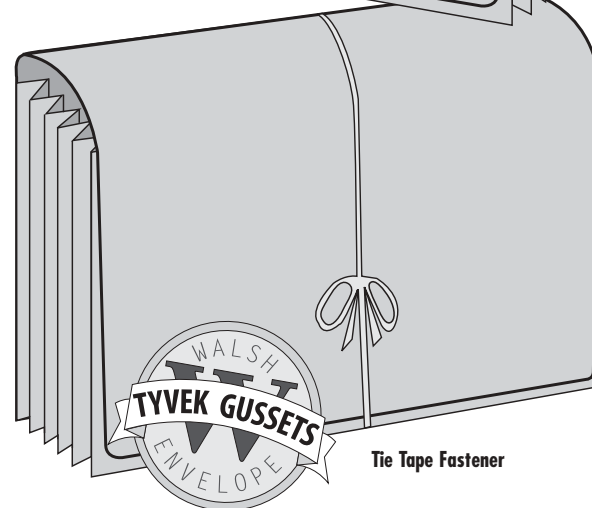
▪ Full Flap ▪ 2 Expanding Widths ▪ 5-Piece Construction ▪ Brown Tyvek® Gussets

Prod #	Size"	Box/Ctn	Price
908	9.5 x 14.75 x 3.5 (legal)	25/100	2.45 ea
909	9.5 x 14.75 x 5.25 (legal)	25/100	2.78 ea
94B*	10 x 15 x 3.5 (legal)	25/100	2.79 ea
94A*	10 x 15 x 5.25 (legal)	25/100	3.14 ea

Call for quote on large quantities.

*Reinforced tape on flap

Making item — 2 week delivery



Tie Tape Fastener

Manila Wide Expanding File Jackets

Manila front and back with white Tyvek® gussets

Prod #	Size"	Box/Ctn	Price
600	9.5 x 15 x 3.5 (legal)	25/100	1.49 ea
602	9.5 x 15 x 5.25 (legal)	25/100	1.59 ea

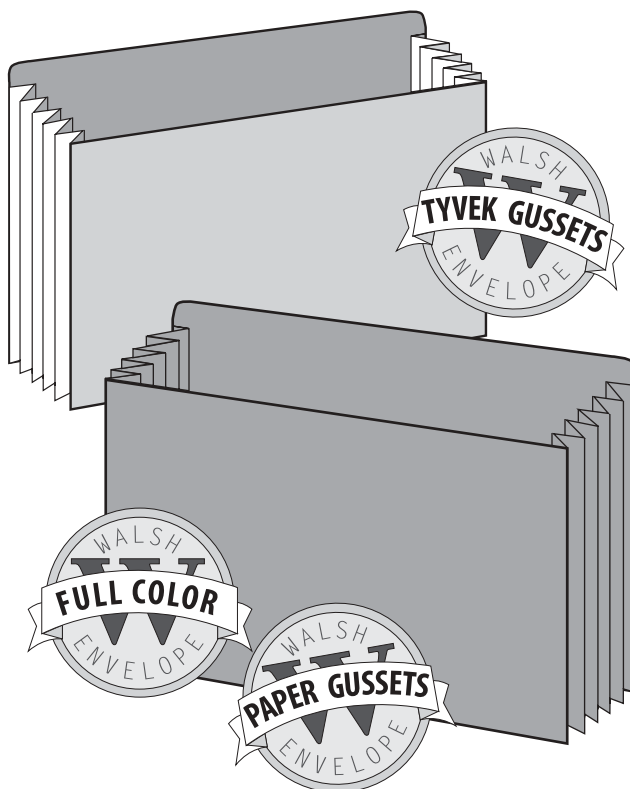
Call for quote on large quantities.

Full Color Wide Expanding File Jackets

Full color front, back and paper gussets in matching color

Prod #	Color	Size	Box/Ctn	Price
607	Blue	9.5 x 15 x 3.5 (legal)	25/100	1.39 ea
608	Green	9.5 x 15 x 3.5 (legal)	25/100	1.39 ea
610	Gray	9.5 x 15 x 3.5 (legal)	25/100	1.39 ea

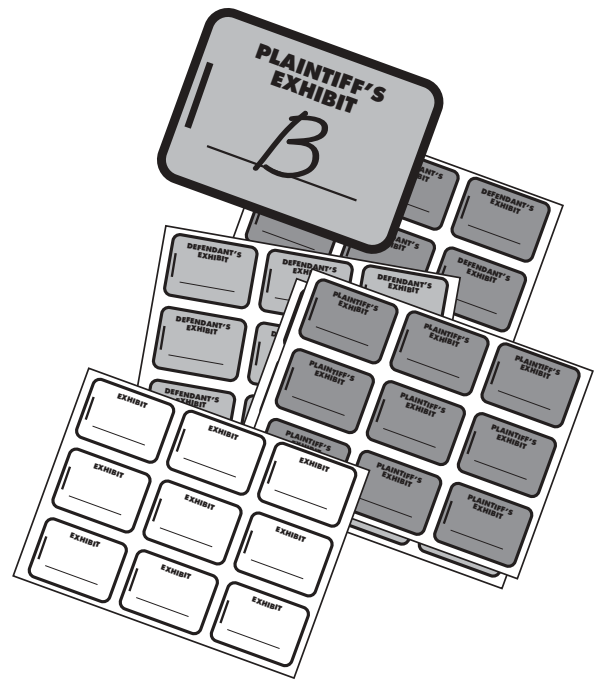
Call for quote on large quantities.



Tabbies® Legal Exhibit Labels

Prod #	Description*	Color	Qty/Pack	Price/Pack
58024	Defendant's Exhibit	Yellow	252 labels	4.80
58025	Plaintiff's Exhibit	Green	252 labels	4.80
58026	Petitioner's Exhibit	Orange	252 labels	4.80
58027	Respondent's Exhibit	Blue	252 labels	4.80
58090	Exhibit	Yellow	252 labels	4.80
58091	Exhibit	Blue	252 labels	4.80
58092	Exhibit	White	252 labels	4.80
58093	Defendant's Exhibit	Blue	252 labels	4.80
58094	Plaintiff's Exhibit	Yellow	252 labels	4.80
58095	Deposition Exhibit	Red	252 labels	4.80

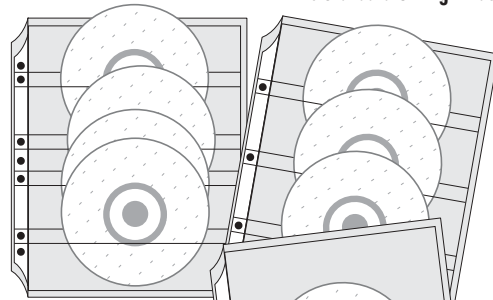
*Special titles are available upon request.



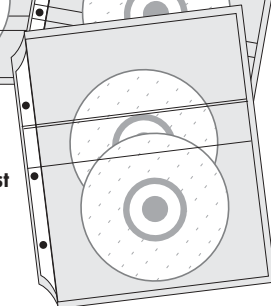
Compact Disk Holders

#821-CD		#747-CD		#931-FD	
Quantity	Price	Quantity	Price	Quantity	Price
100	0.98 ea	100	0.82 ea	100	0.80 ea
500	0.88 ea	500	0.72 ea	500	0.70 ea
1000	0.78 ea	1000	0.62 ea	1000	0.65 ea

747-CD
3 Disk Holder
Fits Standard 3 Ring Binders



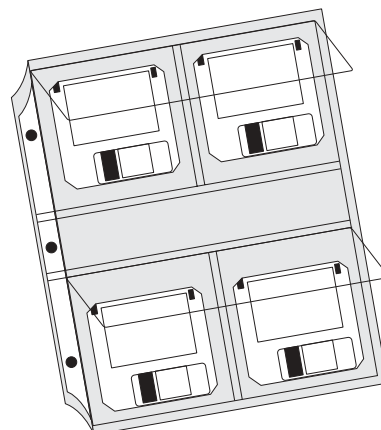
821-CD
4 Disk Holder
Fits Standard and Most
Non-Standard Binders



931-FD
2 Disk Holder
Fits Standard Binders

Disk Holders

Quantity	Price
100	0.86 ea
500	0.82 ea
1000	0.78 ea



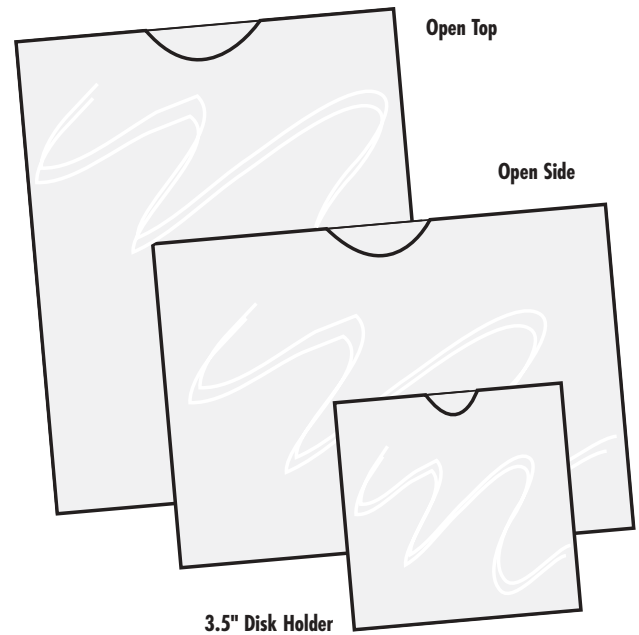
4 Pocket Holder
Fits Standard 3 Ring Binder
Flaps Over Pockets
Holds 3.5" Discs

Clear Stick-on-Pockets

Stick Clear Pocket on anywhere 4,500 Sizes – Give us the size of your insert, we'll give you the right size protector

Most Popular Sizes:

Prod#	Size"	Quantity	Price
STB-164	3 x 5	100	0.41 ea
STB-108	5 x 8	100	0.49 ea
STB-788	3.5 Disk Holder	100	0.12 ea

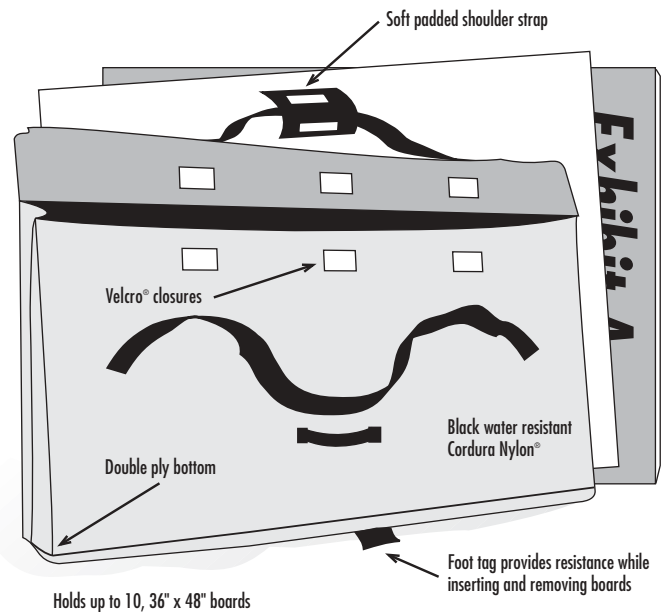
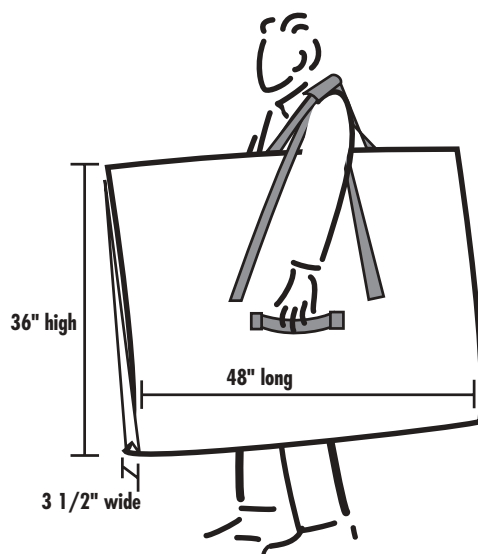


Call for quote – 300 quantity to 3 million quantity

Get a handle on it... Finally, a safe and efficient way to handle large exhibit and presentation boards.

Transporter for Presentation Boards

Quantity	Price
1-5 carriers	175.00 ea
5+ carriers	150.00 ea



Tabbies® Brand & Non-Branded Color Coded Labels

(Comparable) 71000 Series

Color keyed to match Tab Products

1" Vertical Label, 0-9 (Made with Kimdura)

Stock #	Item	Qty/Roll	Color	Price/Roll
71000	0	500	Pink	11.00
71001	1	500	Red	11.00
71002	2	500	Lt. Orange	11.00
71003	3	500	Dk. Orange	11.00
71004	4	500	Lt. Green	11.00
71005	5	500	Dk. Green	11.00
71006	6	500	Blue	11.00
71007	7	500	Purple	11.00
71008	8	500	Lilac	11.00
71009	9	500	Brown	11.00

(Comparable) 71020 Series

Color keyed to match Tab Products

1" Vertical Label, A-Z (Made with Kimdura)

Stock#	Item	Qty/Roll	Color	Price/Roll
71021	A	500	Red	11.00
71022	B	500	Lt. Orange	11.00
71023	C	500	Dk. Orange	11.00
71024	D	500	Lt. Green	11.00
71025	E	500	Dk. Green	11.00
71026	F	500	Blue	11.00
71027	G	500	Purple	11.00
71028	H	500	Lilac	11.00
71029	I	500	Pink	11.00
71030	J	500	Red	11.00
71031	K	500	Lt. Orange	11.00
71032	L	500	Dk. Orange	11.00
71033	M	500	Lt. Green	11.00
71034	N	500	Dk. Green	11.00
71035	O	500	Blue	11.00
71036	P	500	Purple	11.00
71037	Q	500	Lilac	11.00
71038	R	500	Brown	11.00
71039	S	500	Pink	11.00
71040	T	500	Red	11.00
71041	U	500	Lt. Orange	11.00
71042	V	500	Dk. Orange	11.00
71043	W	500	Dk. Green	11.00
71044	X	500	Blue	11.00
71045	Y	500	Purple	11.00
71046	Z	500	Lilac	11.00
71047	Mc	500	Lt. Green	11.00

(Comparable) 71200 Series

Color keyed to match Tab Products

.5" Vertical Label, 0-9 (Laminated)

Stock #	Item	Qty/Roll	Color	Price/Roll
71200	0	500	Pink	6.00
71201	1	500	Red	6.00
71202	2	500	Lt. Orange	6.00
71203	3	500	Dk. Orange	6.00
71204	4	500	Lt. Green	6.00
71205	5	500	Dk. Green	6.00
71206	6	500	Blue	6.00
71207	7	500	Purple	6.00
71208	8	500	Lilac	6.00
71209	9	500	Brown	6.00

(Comparable) 71220 Series

Color keyed to match Tab Products

.5" Vertical Label, A-Z (Laminated)

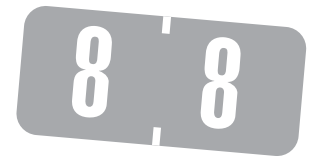
Stock #	Item	Qty/Roll	Color	Price/Roll
71221	A	500	Red	6.00
71222	B	500	Lt. Orange	6.00
71223	C	500	Dk. Orange	6.00
71224	D	500	Lt. Green	6.00
71225	E	500	Dk. Green	6.00
71226	F	500	Blue	6.00
71227	G	500	Purple	6.00
71228	H	500	Lilac	6.00
71229	I	500	Pink	6.00
71230	J	500	Red	6.00
71231	K	500	Lt. Orange	6.00
71232	L	500	Dk. Orange	6.00
71233	M	500	Lt. Green	6.00
71234	N	500	Dk. Green	6.00
71235	O	500	Blue	6.00
71236	P	500	Purple	6.00
71237	Q	500	Lilac	6.00
71238	R	500	Brown	6.00
71239	S	500	Pink	6.00
71240	T	500	Red	6.00
71241	U	500	Lt. Orange	6.00
71242	V	500	Dk. Orange	6.00
71243	W	500	Dk. Green	6.00
71244	X	500	Blue	6.00
71245	Y	500	Purple	6.00
71246	Z	500	Lilac	6.00



7100 Series



71020 Series



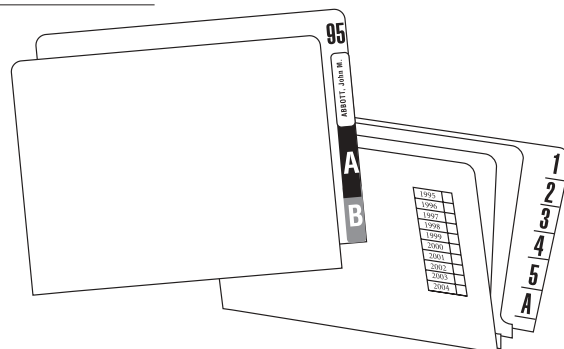
71200 Series



71220 Series

Typical Applications

Other Tabbies® Products Available



Ordering Information From Walsh



General Questions

You can order from us toll-free phone or fax from the USA. Or just call to say hello, and talk with one of the Walshes. No obligation, our people are friendly and know their stuff. Customer Service Dept. 800-879-2574, Mon. through Fri. 8:30 am to 6:00 pm EST



Speedy Shipping

All prices are quoted F.O.B. from our factories in Pennsylvania, Georgia or California. Some International shipments are made from the United Kingdom, we choose the location best suited to your destination. Usually, we ship your order within 24 hours via UPS, or Airmail to Alaska & Hawaii. FedEx, and other international handlers are available at your choice. We have weekly consolidated airfreight shipments to the UK, Europe and South America.



Telephone Orders

USA Orders – Toll Free – 800-879-2574
INTERNATIONAL Phone Orders – (010-1)-610-364-3150
email address – Professor@walshenvelopes.com



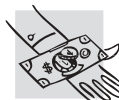
Prices and availability:

Prices shown and availability are subject to change without notice. If prices should change, we will process your order and notify you of any difference. We cannot be responsible for typographical errors. Some quantities limited.



Fax Us Your Order!

Fast, no hassle ordering. 24 hours a day. Use our order form and FAX in USA Toll Free – 800-925-7494 International Fax – (010-1)610-364-3190



Method of Payment:

All prices stated in US dollars. PA residents add 6% tax, Philadelphia residents add 7% tax. We accept checks, money orders, major credit cards and purchase orders.



Corporate & Institutional Buyers:

Established accounts may fax their purchase orders to 610-364-3190. New accounts should first call Customer Service for credit information at 610-364-3150. US Government purchases can be made with contact through EDI.

Call us toll-free 24 hours a day, 7 days a week to charge your order: phone: 1-800-879-2574 fax: 1-800-925-7494

Ordered by and billing address:

Ship to: (Only if different from "ordered by".)

Name			Name		
Company Name			Company Name		
Address			Address		
City	State/Prov.	Zip/Postal Code	City	State/Prov.	Zip/Postal Code
Country			Country		
Daytime Phone	Fax		Email	Website	
Signature					

Quantity	Product Code	Description	Unit Price	Amount
1				
2				
3				
4				
5				
6				
7				
8				
9				

Purchase order number (Established Accounts) _____

Charge to my: MasterCard Visa American Express **Check or money order enclosed** (US funds only)

Card Number: _____

Expiration Date: _____ / _____
(MONTH) (YEAR)

x _____
SIGNATURE (AS SHOWN ON CREDIT CARD)

Walsh Envelope Company

478 Bethel Avenue
Aston, Pennsylvania 19014-3142
800-879-2574 / 610-364-3150 **PHONE**
800-925-7494 / 610-364-3190 **FAX**
Professor@walshenvelopes.com **EMAIL**
www.walshenvelopes.com **WEB SITE**



Service since 1927

Walsh Envelope Company

813 Bethel Avenue

Aston, Pennsylvania 19014-3145

800-879-2574 / 610-364-3150 **PHONE**

800-925-7494 / 610-364-3190 **FAX**

Professor@walshenvelopes.com **EMAIL**

www.walshenvelopes.com **WEB SITE**