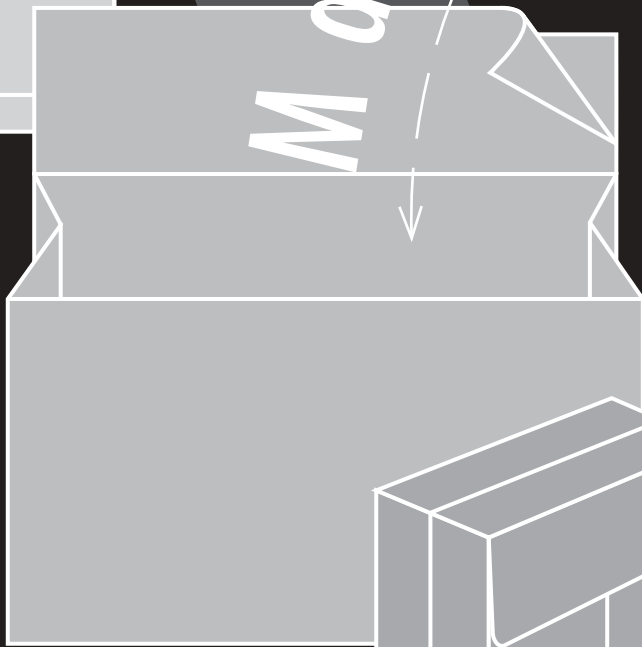


Catalog 2003-01-ME



Mailing Envelopes

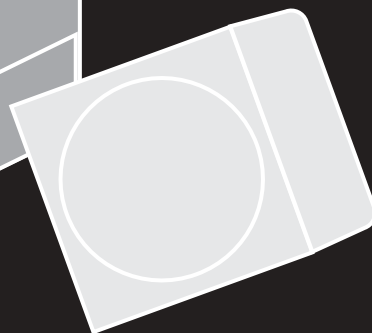


Mailing

Walsh

Envelope

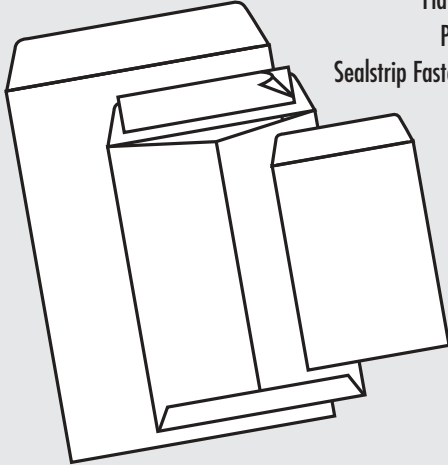
Company



www.walshenvelopes.com

KRAFT PAPER MAILERS

Open Short End Flap/Catalog Style
Flat/No Expansion
Plain/No Border
Sealstrip Fastener • Sub 28

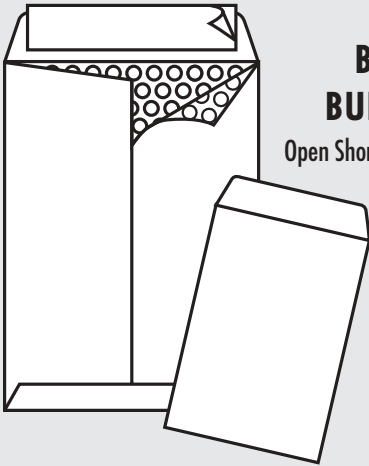


Item #	Size "	Color	Qty/Box	Price Per 1,000
800	6 x 9	Brown	500	\$ 92.50
80B	6 x 9	White	500	\$ 97.50
802	6 ½ x 9 ½	Brown	500	\$ 97.50
80H	6 ½ x 9 ½	White	500	\$ 99.20
80I	6 ½ x 9 ½	Gray	500	\$ 99.20
801	7 ½ x 10 ½	Brown	500	\$ 114.50
80A	7 ½ x 10 ½	White	500	\$ 114.50
805	9 x 12	Brown	500	\$ 134.50
792	9 x 12	Gray	500	\$ 142.50
797	9 x 12	White	500	\$ 137.60
804	9 ½ x 12 ½	Brown	500	\$ 147.50
80C	9 ½ x 12 ½	White	500	\$ 150.50
806	10 x 13	Brown	500	\$ 153.60
80D	10 x 13	White	500	\$ 157.00
796	10 x 13	Gray	500	\$ 166.50
807	10 x 15	Brown	500	\$ 187.50
80E	10 x 15	White	500	\$ 190.50
798	10 x 15	Gray	500	\$ 201.60
803	11 ½ x 14 ½	Brown	500	\$ 194.00
80G	11 ½ x 14 ½	White	500	\$ 198.50
811	12 x 15 ½	Brown	500	\$ 206.50
80F	12 x 15 ½	White	500	\$ 211.50
783	12 x 15 ½	Gray	500	\$ 220.80

Minimum order 1 box

BROWN KRAFT BUBBLE MAILERS

Open Short End Flap/Catalog Style
Flat/No Expansion
Plain/No Boarder
Sealstrip Fastener

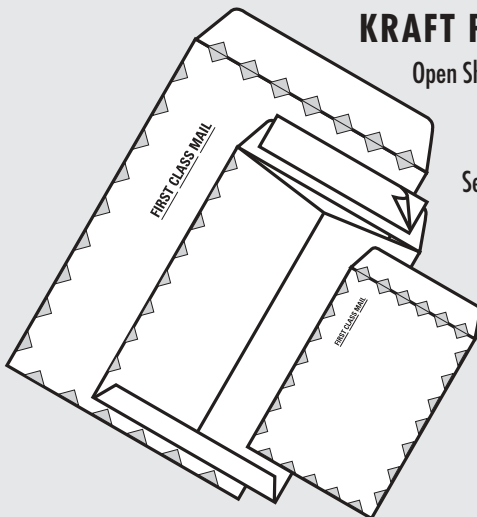


Item #	Outside Dimensions"	Inside Dimensions"	Qty/Box	Unit Price
E4440	6 x 10	6 x 9	250	\$ 0.26
E4442	8 ½ x 12	8 ½ x 11	100	\$ 0.36
E4444	9 ½ x 14 ½	9 ½ x 13 ½	100	\$ 0.44
E4446	12 ½ x 19	12 ½ x 18	50	\$ 0.70

Minimum order 1 box

KRAFT PAPER MAILERS

Open Short End Flap/Catalog Style
Flat/No Expansion
First Class Green Border
Sealstrip Fastener • Sub 28

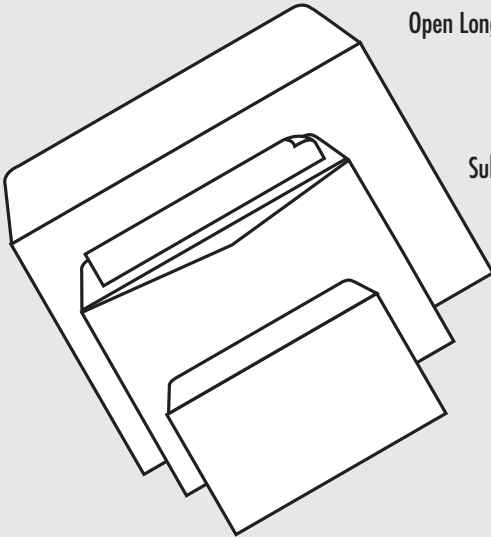


Item #	Size "	Color	Qty/Box	Price Per 1,000
80J	6 x 9	White	500	\$ 112.00
80K	6 ½ x 9 ½	White	500	\$ 123.00
808	9 x 12	Brown	500	\$ 164.50
80L	9 x 12	White	500	\$ 164.50
812	9 ½ x 12 ½	Brown	500	\$ 166.00
80M	9 ½ x 12 ½	White	500	\$ 166.00
809	10 x 13	Brown	500	\$ 168.50
80N	10 x 13	White	500	\$ 171.50
810	10 x 15	Brown	500	\$ 203.50
80P	10 x 15	White	500	\$ 208.00
794	12 x 15 ½	Brown	500	\$ 225.00
80Q	12 x 15 ½	White	500	\$ 230.50

Minimum order 1 box

KRAFT PAPER MAILERS

Open Long Side Flap/Booklet Style
 Flat/No Expansion
 Plain/No Border
 Sealstrip Fastener
 Sub 40 Except Where Noted

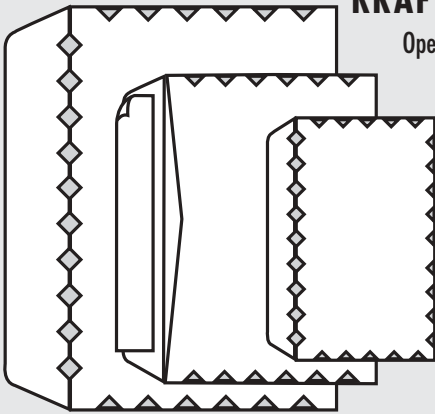


Item #	Size "	Color	Qty/Box	Price Per 1,000
813	5 x 11	Brown	250	\$ 211.00
830	9 x 12	Brown	250	\$ 285.00
833 sub 28	9 x 12	Brown	500	\$ 165.00
81B sub 28	9 x 12	White	500	\$ 173.00
81A	9 ½ x 12 ½	Brown	250	\$ 245.00
81D sub 28	9 ½ x 12 ½	White	500	\$ 185.00
819	10 x 12	Brown	250	\$ 220.00
822	10 x 13	Brown	250	\$ 249.00
81C sub 28	10 x 13	Brown	500	\$ 180.60
823 sub 28	10 x 13	White	500	\$ 185.00
825	10 x 15	Brown	250	\$ 261.00
826	10 x 15	White	250	\$ 346.80
829	11 ½ x 16	Brown	250	\$ 408.00

Minimum order 1 box

KRAFT PAPER MAILERS

Open Long Side Flap/Booklet Style
 Flat/No Expansion
 First Class Green Border
 Sealstrip Fastener
 Sub 40 Except Where Noted

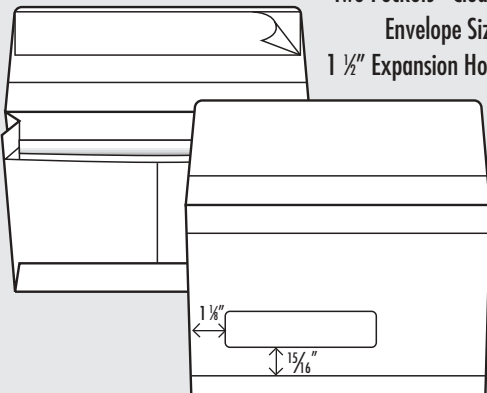


Item #	Size "	Color	Qty/Box	Price Per 1,000
835 sub 28	9 x 12	White	500	\$ 184.00
83A	9 ½ x 12 ½	Brown	250	\$ 265.00
844 sub 28	9 ½ x 8	White	500	\$ 185.00
832	10 x 13	Brown	250	\$ 291.00
841	10 x 13	White	250	\$ 355.50
843 sub 28	10 x 13	White	500	\$ 212.50
831	10 x 15	Brown	250	\$ 302.60
83B	10 x 15	White	250	\$ 338.30

Minimum order 1 box

BULKY STATEMENT MAILERS

Open Long Side/Booklet Style
 Two Pockets • Clear Cellophane Window
 Envelope Size: 4 ¾ x 9 ½ x 1 ½ "
 1 ½" Expansion Holds Up To 350 Checks
 Sealstrip Fastener
 32 lb. Kraft



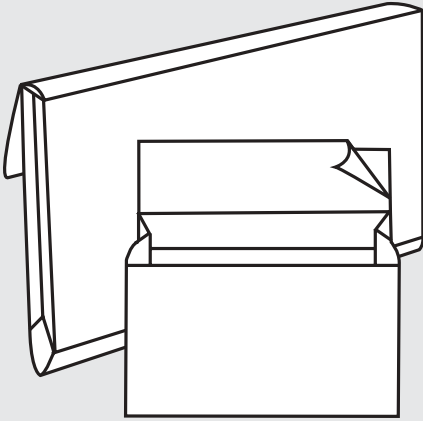
All Prices Per 1,000

Item #	Stock	1,000 Qty	2,500 Qty	5,000 Qty
E8150	Brown Kraft	\$439.00 Printed	\$390.00 Printed	\$375.00 Printed
		\$315.00 Unprinted	\$301.00 Unprinted	\$294.00 Unprinted
E8152	White Kraft	\$439.00 Printed	\$390.00 Printed	\$375.00 Printed
		\$315.00 Unprinted	\$301.00 Unprinted	\$294.00 Unprinted

Two pockets in one envelope – One for folded statement sheet, One for bulky-canceled checks
 Sealstrip fastener, Prices for printing in black ink

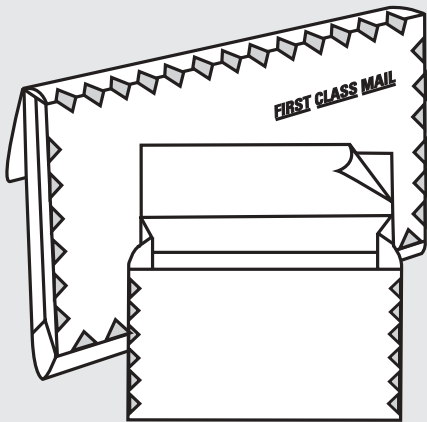
BROWN KRAFT PAPER EXPANSION MAILERS

Open Long Side/Booklet Style
Plain/No Border
Sealstrip Fastener
Sub 40 Except Where Noted



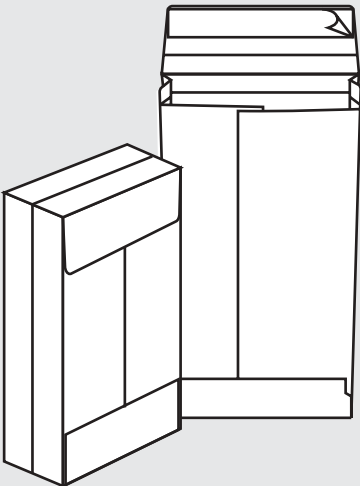
BROWN KRAFT PAPER EXPANSION MAILERS

Open Long Side/Booklet Style
First Class Green Border
Sealstrip Fastener
Sub 40 Except Where Noted



BROWN KRAFT PAPER EXPANSION MAILERS

Open Short End/Catalog Style
Plain/No Border
Sealstrip Fastener
Sub 40 Except Where Noted



Item #	Size "	Price Per 100	Price Per 1,000
391*	10 x 12 x 2	\$ 54.75	\$ 497.50
392	10 x 13 x 2	\$ 59.75	\$ 517.50
398 sub 50	10 x 13 x 4	\$ 83.75	\$ 797.50
393	10 x 15 x 2	\$ 63.75	\$ 597.50
383 sub 50	12 x 16 x 2	\$ 79.75	\$ 772.50
397 sub 50	12 x 16 x 4	\$ 96.75	\$ 897.50

Minimum order 1 box (100 Qty)

*Minimum order 1 box (250 Qty)

Item #	Size "	Qty/Box	Price Per 1,000
315	10 x 12 x 2	250	\$ 592.20
316*	10 x 13 x 2	250	\$ 619.20
318 sub 50	12 x 16 x 2	250	\$ 941.40
319 sub 50	12 x 16 x 4	250	\$ 1,126.00

*Open end/catalog style.

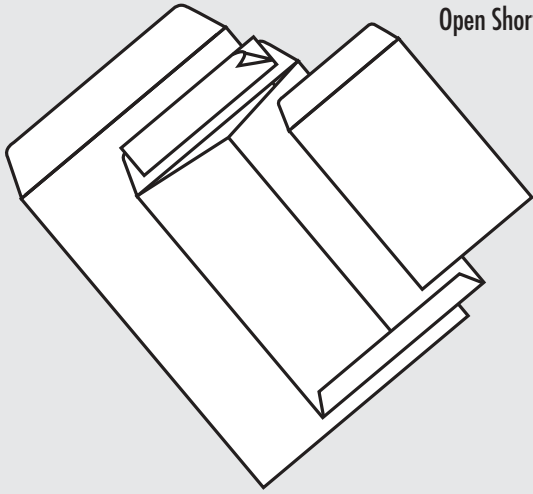
Minimum order 1 box

Item #	Size "	Price Per 100	Price Per 1,000
E9009	4 x 9 ½ x 2	\$ 28.00	\$ 230.00
E9016	5 x 11 x 2	\$ 29.00	\$ 230.00
E9055	10 x 12 x 2	\$ 48.00	\$ 440.00
E9059 sub 50	10 x 12 x 4	\$ 59.00	\$ 540.00
E9062	10 x 13 x 2	\$ 48.00	\$ 440.00
E9070	10 x 15 x 2	\$ 54.00	\$ 490.00
E9090	12 x 15 x 3	\$ 75.00	\$ 710.00

Minimum order 1 box (100 Qty)

TYVEK® WHITE MAILERS

Open Short End/Catalog Style
Flat/No Expansion
Plain/No Border
Sealstrip Fastener
14 lb. Tyvek®

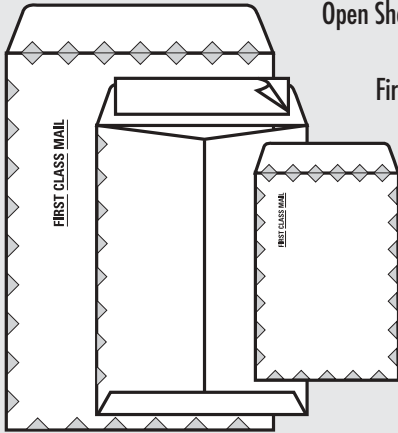


Item #	Size "	Qty/Ctn	Price Per 1,000
40B	6 x 9	1,000	\$ 188.00
404	6 ½ x 9 ½	1,000	\$ 210.00
407	7 ½ x 10 ½	1,000	\$ 242.00
421	9 x 12	500	\$ 239.00
430	9 ½ x 12 ½	500	\$ 261.00
424	10 x 13	500	\$ 277.00
475	10 x 15	500	\$ 314.00
490	12 x 15 ½	500	\$ 385.00

Minimum order 1 carton

TYVEK® WHITE MAILERS

Open Short End/Catalog Style
Flat/No Expansion
First Class Green Border
Sealstrip Fastener
14 lb. Tyvek®

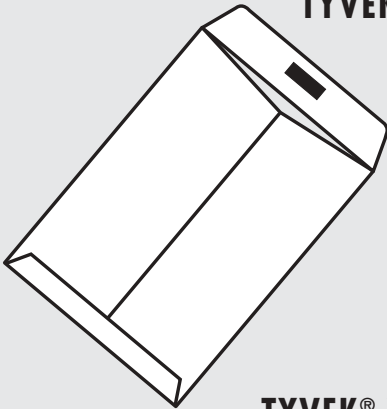


Item #	Size "	Qty/Ctn	Price Per 1,000
402	6 x 9	1,000	\$ 195.00
409	6 ½ x 9 ½	1,000	\$ 223.00
426	7 ½ x 10 ½	1,000	\$ 249.00
422	9 x 12	500	\$ 256.00
431	9 ½ x 12 ½	500	\$ 266.00
488	10 x 13	500	\$ 286.00
487	10 x 15	500	\$ 331.00
474	12 x 15 ½	500	\$ 395.00

Minimum order 1 carton

TYVEK® WHITE MAILERS

Open Short End/Catalog Style
Flat/No Expansion
Plain/No Border
Peerless Tac™ Closure
(reusable closing flap)
14 lb. Tyvek®

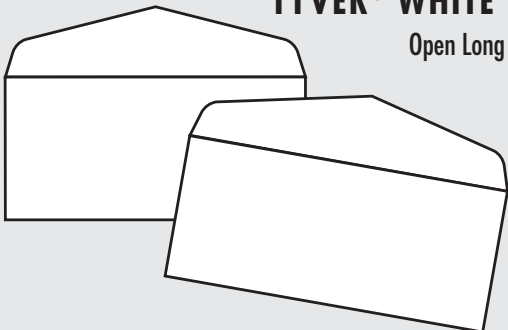


Item #	Size "	Qty/Box	Price Per 1,000
2003PL	9 x 12	500	\$ 410.00
2002PL	10 x 13	500	\$ 450.00
2004PL	10 x 15	500	\$ 510.00

Minimum order 1 box

TYVEK® WHITE ENVELOPES

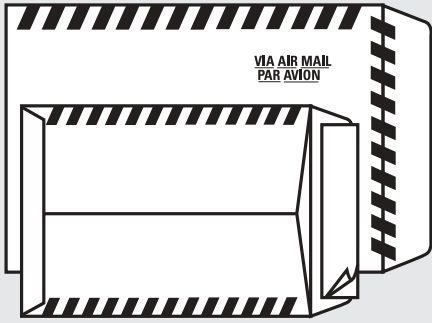
Open Long Side/Booklet Style
Flat/No Expansion
Plain/No Border
Gummed Closure
14 lb. Tyvek®



Item #	Size "	Qty/Box	Price Per 1,000
1903PL	#10 4 ½ x 9 ½	500	\$ 175.00
43A	#11 4 ½ x 10 ¾	500	\$ 215.00

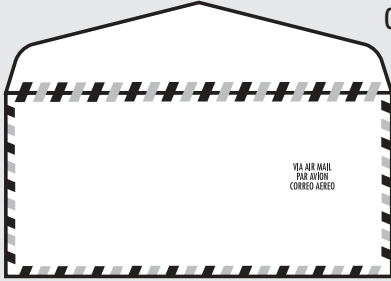
Minimum order 1 box

TYVEK® WHITE MAILERS

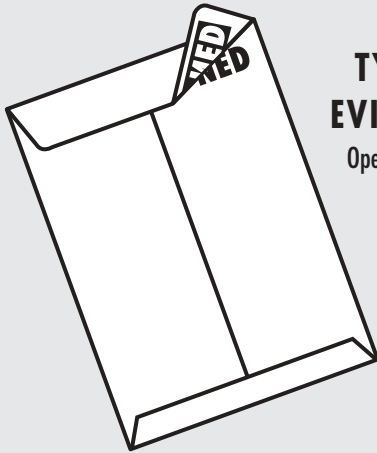


Open Short End/Catalog Style
Flat/No Expansion
Red & Blue Air Mail Border
Sealstrip Fastener
14 lb. Tyvek®

TYVEK® WHITE MAILERS



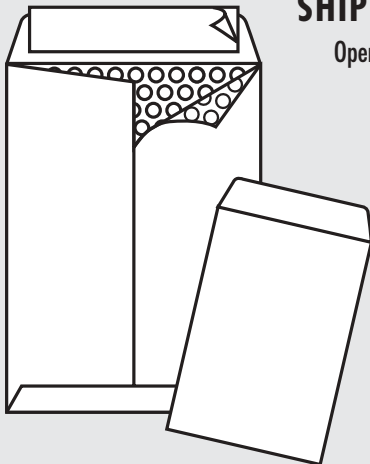
Open Long Side/Booklet Style
Flat/No Expansion
Inside Tint
Red & Blue Air Mail Border
Gummed Closure
14 lb. Tyvek®



TYVEK® TAMPER EVIDENT MAILERS

Open Short End/Catalog Style
Flat/No Expansion
Plain/No Border
Tamper Evident Seal
14 lb. Tyvek®

TYVEK® BUBBLE WHITE SHIPPING MAILERS



Open Short End/Catalog Style
Flat/No Expansion
Plain/No Border
Sealstrip Fastener
Tyvek® with Bubble Liner

Item #	Size "	Qty/Ctn	Price Per 1,000
42B	6 ½ x 9 ½	500	\$ 285.00
423	9 x 12	500	\$ 358.00
489	10 x 13	500	\$ 390.00
417	10 x 15	500	\$ 450.00

Minimum order 1 carton

Item #	Size "	Qty/Box	Price Per 1,000
42A	#10 (4 ½ x 9 ½)	500	\$ 195.00

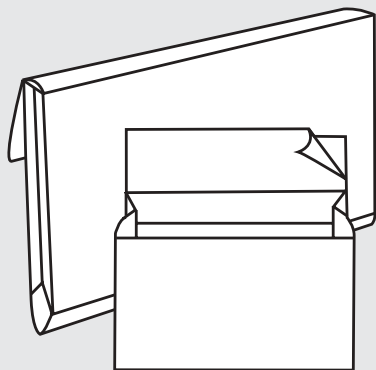
Minimum order 1 box

Item #	Size "	Qty/Ctn	Price Per 1,000
H2400	9 x 12	500	\$ 488.00
H2420	10 x 13	500	\$ 552.00
H2430	10 x 15	500	\$ 614.00

Minimum order 1 carton

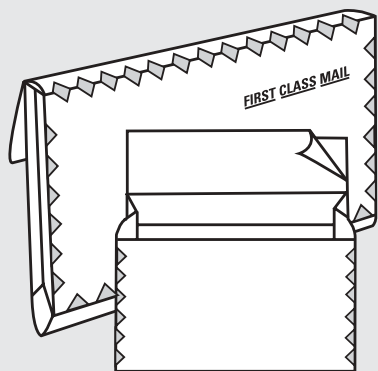
Item #	Outside Dimension	Inside Dimension	Qty/Box	Unit Price
7501	6 ½ x 9 ½	6 x 9	50	\$ 0.73 ea.
7510	7 ½ x 10 ½	7 x 10	50	\$ 0.80 ea.
7525	9 x 12	8 ½ x 11 ½	50	\$ 0.86 ea.
7545	10 x 13	9 ½ x 12 ½	25	\$ 0.96 ea.
7560	10 x 15	9 ½ x 14 ½	25	\$ 1.05 ea.
7565	10 ½ x 16	10 x 15 ½	25	\$ 1.27 ea.
7590	13 x 19	12 ½ x 18 ½	25	\$ 2.05 ea.
7595	14 ½ x 20	13 ¾ x 19 ½	15	\$ 2.21 ea.

Also available in SHIP-Lite®. Call for pricing or go to our web site.
Minimum order 1 box



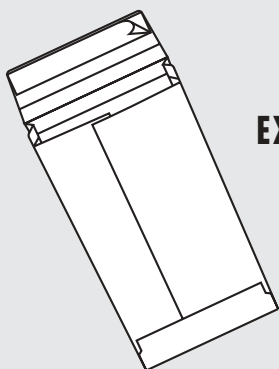
TYVEK® WHITE EXPANSION MAILERS

Open Long Side/Booklet Style
Plain/No Border
Sealstrip Fastener
18 lb. Tyvek®



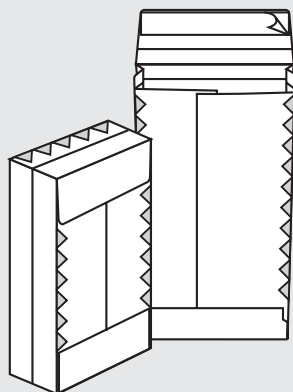
TYVEK® WHITE EXPANSION MAILERS

Open Long Side/Booklet Style
First Class Green Border
Sealstrip Fastener
18 lb. Tyvek®



TYVEK® WHITE EXPANSION MAILERS

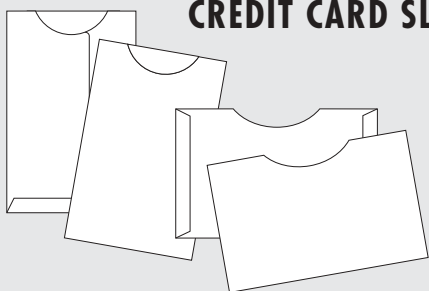
Open Short End/Catalog Style
Plain/No Border
Sealstrip Fastener
18 lb. Tyvek®



TYVEK® WHITE EXPANSION MAILERS

Open Short End/Catalog Style
First Class Green Border
Sealstrip Fastener • 18 lb. Tyvek®

TYVEK® WHITE CREDIT CARD SLEEVES



Item #	Size "	Qty/Box	Price Per 1,000
492	10 x 12 x 1 ½	100	\$ 678.50
483	10 x 12 x 2	100	\$ 706.00
493	10 x 12 x 4	100	\$ 1,043.50
495	10 x 13 x 2	100	\$ 683.50
485	10 x 15 x 2	100	\$ 752.00
486	11 x 16 x 2	100	\$ 877.00
449	12 x 16 x 2	100	\$ 934.00
499	12 x 16 x 4	100	\$ 1,315.00
491	12 x 18 x 2	100	\$ 1,127.00

Minimum order 1 box

Item #	Size "	Qty/Box	Price Per 1,000
496	10 x 12 x 1 ½	100	\$ 713.00
494	10 x 13 x 2	100	\$ 828.50
484	10 x 15 x 2	100	\$ 920.00
482	12 x 16 x 2	100	\$ 1,116.00
498	12 x 16 x 4	100	\$ 1,499.00

Minimum order 1 box

Item #	Size "	Qty/Box	Price Per 1,000
R4130	9 x 12 x 2	100	\$ 610.00 <i>new!</i>
R4160	10 x 12 x 1 ½	100	\$ 620.00 <i>new!</i>
R4225	10 x 13 x 2	100	\$ 650.00 <i>new!</i>
R4290	12 x 16 x 2	100	\$ 885.00 <i>new!</i>

Minimum order 1 box

Item #	Size "	Qty/Box	Price Per 1,000
R4170	10 x 12 x 1 ½	100	\$ 672.00 <i>new!</i>
R4210	10 x 13 x 1 ½	100	\$ 720.00 <i>new!</i>
R4300	12 x 16 x 2	100	\$ 950.00 <i>new!</i>

Minimum order 1 box

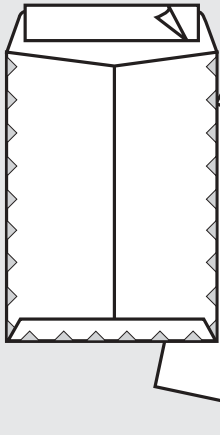
Open Short End • Single Thumb Cut • 18# Tyvek®

Item #	Size "	Qty/Box	Price Per 1,000
H5920	2 ¼ x 3 ½	5,000	\$ 53.00

Open Long Side • Double Thumb Cut • 18# Tyvek®

Item #	Size "	Qty/Box	Price Per 1,000
1804PL	2 ¼ x 3 ½	5,000	\$ 72.00

These can be customized with your company's logo. Call for quotation.

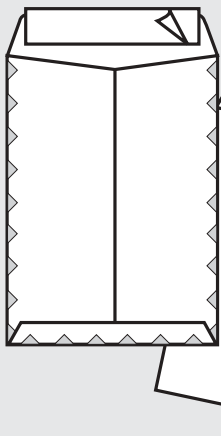


TYVEK® JUMBO MAILERS

Open Short End/Catalog Style
Sealstrip Fastener
Plain or First Class Border
18# Tyvek

Item #	Size "	Border	Qty/Ctn.	Price Per 1,000
H5100	13 x 19	Plain	500	\$ 754.00
1221FC	13 x 19	FCB	250	\$ 1,050.00
H5105	14 ¼ x 20	Plain	250	\$ 867.00
1128PL	18 x 23	Plain	250	\$ 1,488.00

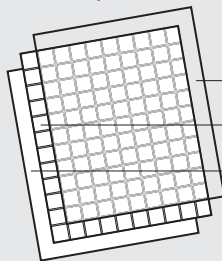
Minimum order 1 carton



SHIP-LITE® WHITE MAILERS

Open Short End/Catalog Style
Sealstrip Fastener
Plain or First Class Border
25 lb. Ship-lite® Stock

**SHIP-lite® Construction
for Durability.
Unique Three Layer,
25 lb. Stock**



Polyethylene

Mesh Screen

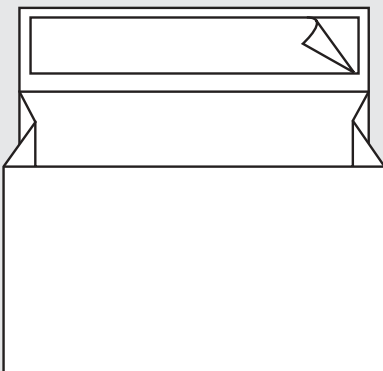
White Kraft Paper

Item #	Size "	Border	Qty/Box	Price Per 1,000
L3600	6 x 9	Plain	500	\$ 157.00
L3605	6 x 9	First Class	500	\$ 164.50
L3608	7½ x 10½	Plain	500	\$ 187.00
L3610	9 x 12	Plain	500	\$ 197.50
L3615	9 x 12	First Class	500	\$ 214.00
L3616	9½ x 12½	Plain	500	\$ 216.50
L3618	9½ x 12½	First Class	500	\$ 236.50
L3620	10 x 13	Plain	500	\$ 223.00
L3625	10 x 13	First Class	500	\$ 238.00
L3626	10 x 15	Plain	500	\$ 273.00
L3628	10 x 15	First Class	500	\$ 283.00
L3629	11½ x 14½	Plain	500	\$ 330.00
L3630	12 x 15½	Plain	500	\$ 332.00
L3635	12 x 15½	First Class	500	\$ 350.00

Minimum order 1 box

SHIP-LITE® MAILERS

Open Side/Booklet and Open End/Catalog Styles
Sealstrip Fastener
Plain or First Class Green Border
25 lb. Ship-lite® White Stock

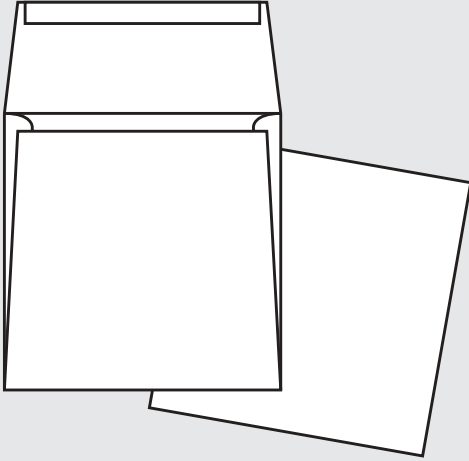


Item #	Size "	Border/Style	Qty/Box	Price Per 1,000
L3700	5 x 11 x 2	Plain/Open End	100	\$ 412.00
L3705	9 x 12 x 1	Plain/Open End	100	\$ 428.00
L3707	9 x 12 x 2	Plain/Open End	100	\$ 436.00
L3710	10 x 13 x 1½	Plain/Open End	100	\$ 469.00
L3715	10 x 13 x 1½	First Class/Open End	100	\$ 495.00
L3719	10 x 15 x 3	Plain/Open End	100	\$ 712.00
L3720	12 x 16 x 2	Plain/Open End	100	\$ 668.00
L3725	12 x 16 x 2	First Class/Open End	100	\$ 751.00
L3810	10 x 13 x 2	Plain/Open Side	100	\$ 492.00
L3813	10 x 13 x 2	First Class/Open Side	100	\$ 543.00
L3815	10 x 15 x 2	Plain/Open Side	100	\$ 530.00
L3817	10 x 15 x 2	First Class/Open Side	100	\$ 560.00
L3820	12 x 16 x 2	Plain/Open Side	100	\$ 716.00

Minimum order 1 box

SQUARE ENVELOPES

Square Flap
Gummed Closure
Plain/No Border
Flat/No Expansion
28 lb. White Wove Stock



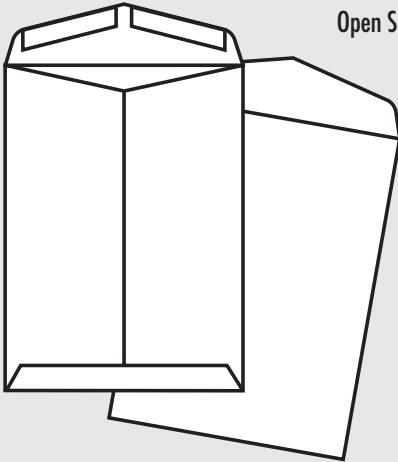
Item #	Size	Qty/Box	Price Per 1,000
10894	5 x 5	1,000	\$ 65.00
10902	5 ½ x 5 ½	1,000	\$ 66.00
10910	6 x 6	1,000	\$ 68.00
10928*	6 ½ x 6 ½	1,000	\$ 73.00
10936	7 x 7	1,000	\$ 94.00
10951	7 ½ x 7 ½	1,000	\$ 107.00
10969	8 x 8	1,000	\$ 120.00
10977*	8 ½ x 8 ½	1,000	\$ 127.00
11009	9 x 9	1,000	\$ 130.00
11017	9 ½ x 9 ½	1,000	\$ 140.00

Minimum order 1 box

*Available in black, blue, green, red and yellow. Call for pricing.

BRILLIANTLY COLORED ENVELOPES

Open Short End/Catalog Style
Flat/No Expansion
Plain/No Border
Gummed Closure
70 lb. Stock



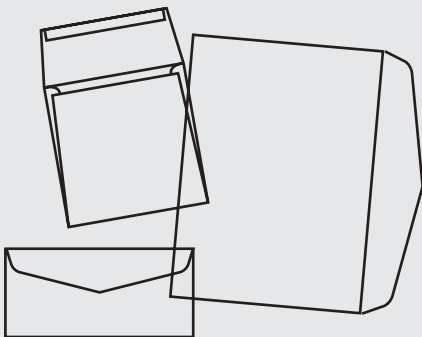
Colors	6"x9" Item #	9"x12" Item #	10"x13" Item #
Black	88095	80428	87733
Blue	88087	80386	87725
Gold	88152	80352	87790
Green	88103	80402	87741
Lemon	88061	80360	87717
Magenta	88145	80345	87782
Orange	88129	80410	87766
Purple	88137	80337	87774
Red	88046	80329	87709
Turquoise	88111	80394	87758
Price Per 500	\$ 0.145 ea	\$ 0.215 ea	\$ 0.250 ea

Minimum order 1 box/500 qty.

Ideal for imprinting "Personal & Confidential", "Telefax" and "Hand Delivery".

TRANSLUCENT ENVELOPES

Flat/No Expansion
Plain/No Border
Gummed Closure
Sub 29 Chlorine Free
Recyclable Stock



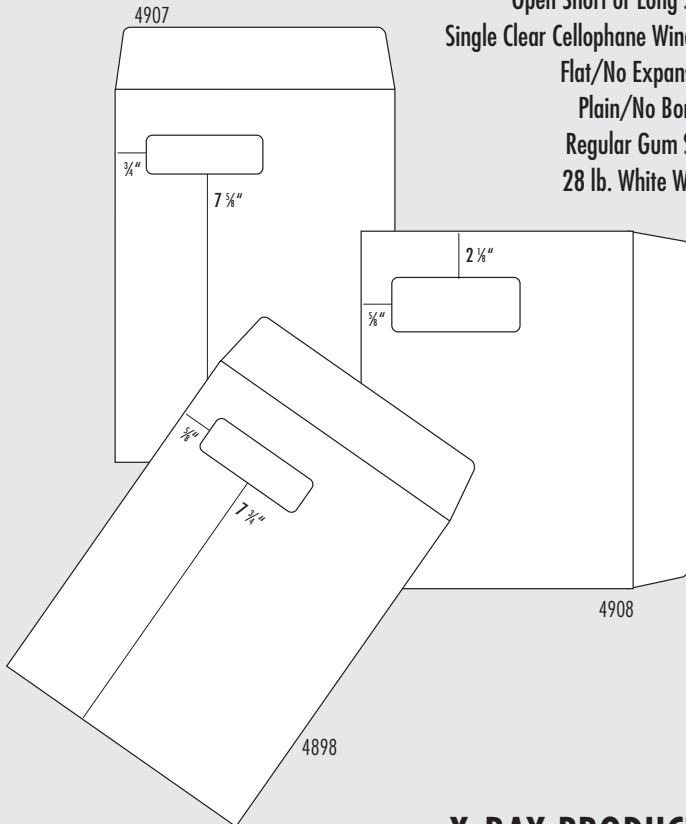
Item #	Description/Size "	Qty/Box	Price Per 1,000
53795	4 ½ x 9 ½ No. 10 (commercial flap)	2,500	\$ 195.00
80538	6 x 9 Booklet	500	\$ 340.00
82516	6 ½ x 6 ½ Square	1,000	\$ 275.00
23629	8 ½ x 8 ½ Square	1,000	\$ 400.00
64172	9 x 12 Booklet	500	\$ 640.00
18769	9 x 12 Catalog	500	\$ 635.00
53794	4 ¾ x 5 ¾ A2	1,000	\$ 140.00
53335*	4 ¾ x 6 ¾ A6	1,000	\$ 170.00
70552*	5 ¼ x 7 ¼ A7	1,000	\$ 215.00
79462	5 ½ x 8 ¾ A8	1,000	\$ 260.00
31284	6 x 9 ½ A10	1,000	\$ 325.00

Minimum order 1 box

*Available in Translucent Blue, Green, Orange, Red and Yellow... Call for pricing!

WINDOW ENVELOPES

Booklet or Catalog Style
Open Short or Long Side
Single Clear Cellophane Window
Flat/No Expansion
Plain/No Border
Regular Gum Seal
28 lb. White Wove



Item #	Size"	Style and Window	Qty/Box	Price Per 1,000
4898	9 x 11 1/2	Open Short End/Catalog Style Window Size: 1 3/8 x 4" Window Position: 3/8 from left, 7 3/4 from bottom	500	\$ 170.00
4907	9 x 12	Open Short End/Catalog Style Window Size: 1 3/8 x 4" Window Position: 3/8 from left, 7 3/4 from bottom	500	\$ 170.00
4908	9 x 12	Open Long Side/Booklet Style Window Size: 4 x 1 3/8" Window Position: 2 1/8 from left, 3/8 from bottom	500	\$ 170.00

Minimum order 1 box

X-RAY PRODUCTS

Printed Mailers

Open Short Side/Catalog Style • Standard Imprint
Button and String Closure • 32 lb. Brown Kraft with chipboard inserts

Item #	Size "	Qty/Box	Price Each
209	15 x 18	50 Envelopes and Chipboards	\$1.10/Set

Minimum order 1 box

Printed Jackets

Open Short End/Catalog Style • Front/Patient Record, Doctor Remarks
Back/X-Ray Loan Record • 32 lb. Colored Kraft

Item #	Size "	Qty/Box	Price Each
XJ-5030*	14 1/2 x 17 1/2	500	\$0.29

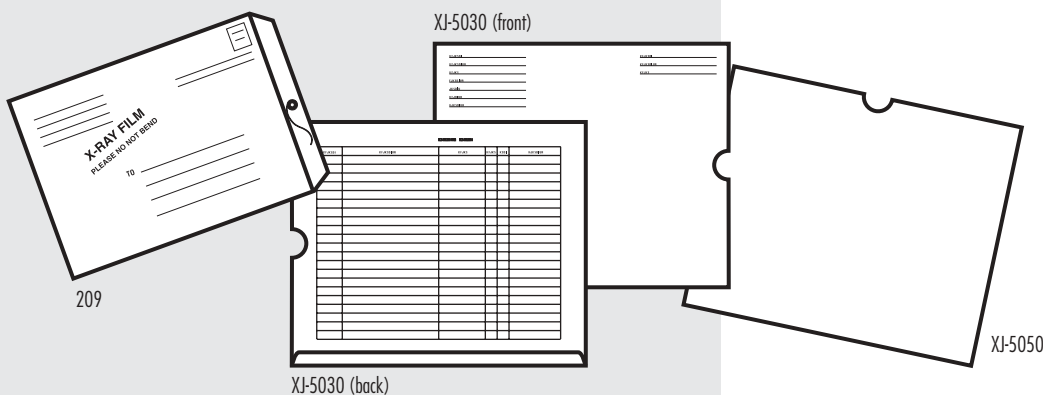
*Available in Brown, Red, Green and Gray Kraft, specify color.
Minimum order 1 box

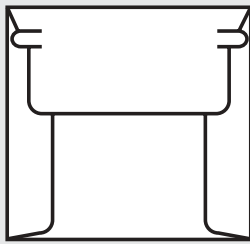
Unprinted Jackets

Open Long Side/Booklet Style • Plain Unprinted
11 pt. Manila Stock

Item #	Size "	Qty/Box	Price Each
XJ-5050	14 1/2 x 17 1/2	100	\$0.65

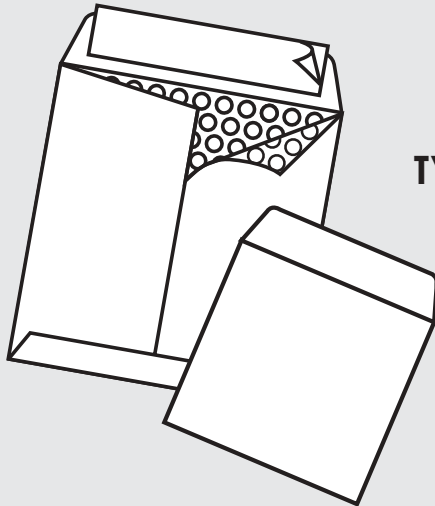
Minimum order 1 box





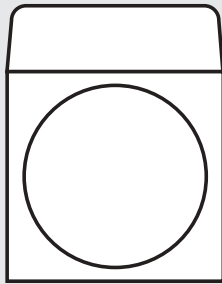
CD MAILERS

Weight Is Less Than 2 oz.
Plain/Unprinted
Sealstrip Fastener
Zip Strip Opening
16 pt. White Paperboard



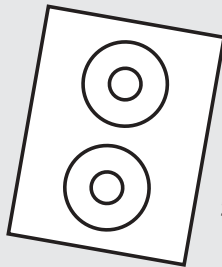
TYVEK® BUBBLE CD MAILERS

Plain/Unprinted
Sealstrip Fastener



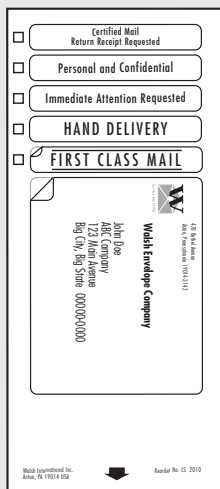
CD SLEEVES

Clear 4 1/8" Window
Ungummed Flap
2000/Bx



CD/DVD LABELS

White Self-Adhesive Stock
Laser Compatible
Avery Equivalent 5824
500 Labels (250 Sheets) Per Box



LASER SINGLE MAILING LABELS

Use With Envelope Software •
Carrier Size 4 1/8 x 9 1/2"
Actual Label 3 3/8 x 4 1/4"
Plus 5 Direction Labels

Item #	Size "	250 Qty Price Each	2,500 Qty Price Each	10,000 Qty Price Each
10239	6 x 6	\$ 0.31	\$ 0.25	\$ 0.22

**Other sizes available*

Item #	Size " Outside	Size " Inside	Qty/Ctn.	10,000 Qty Price Each
R7600	6 1/2 x 7	6 x 6 1/2	50	\$ 0.56

Other sizes available

Item #	Stock	Size "	2,000 Qty Price Each	6,000 Qty Price Each	10,000 Qty Price Each
10723	Paper	5 x 4 1/8	\$ 0.12	\$ 0.10	\$ 0.08
10713	Tyvek®	5 x 4 1/8	\$ 0.19	\$ 0.17	\$ 0.16

Other sizes available

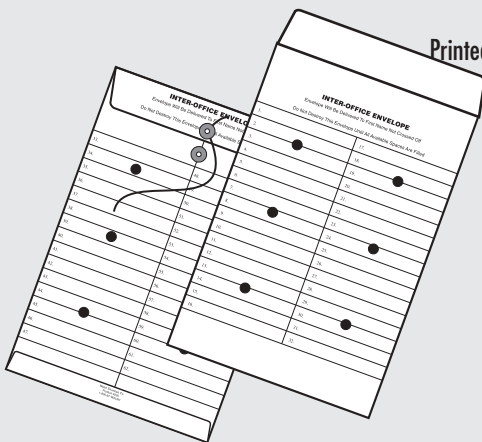
Item #	Size "	Labels/Sheets	Price/Bx
LA-3005	4 1/2	2	\$ 35.00

Item # LS-2010	Price Per 1,000			
	Qty	Black	1 PMS Color	Black Plus 1 PMS Color
1,000	\$ 125.00	\$ 140.00	\$ 205.00	\$ 230.00
2,500	\$ 105.00	\$ 125.00	\$ 185.00	\$ 210.00
5,000	\$ 85.00	\$ 105.00	\$ 165.00	\$ 200.00
10,000	\$ 75.00	\$ 95.00	\$ 150.00	\$ 190.00

*Each order is custom printed with your address copy and choice of 5 direction labels. Runs through printer like a #10 envelope.
Minimum order is 1,000 sheets*

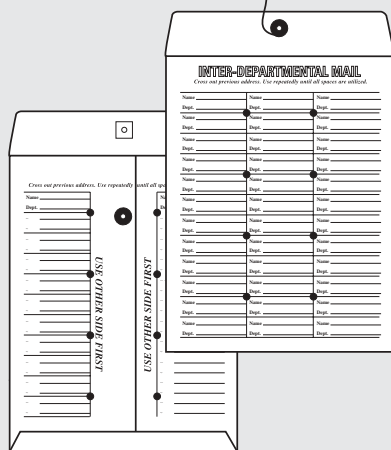
INTER-OFFICE FLAT ENVELOPES with button & string closure

Open End /Catalog Style • 625 Spaces
Six Holes Drilled
Printed Front & Back Black Ink
28 lb. Brown Kraft



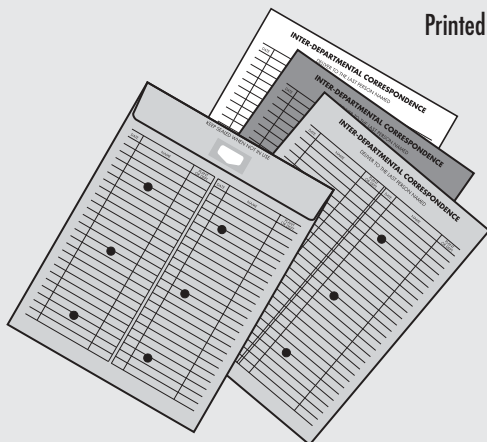
INTER-OFFICE FLAT ENVELOPES with button & string closure

Open End /Catalog Style • 54 Spaces
Eight Holes Drilled • Printed Front & Back Black Ink
28 lb. Brown Kraft



INTER-DEPARTMENTAL FLAT ENVELOPES with Peerless Tac™ (a reusable closing flap)

Open End /Catalog Style • 100 Spaces
Six Holes Drilled
Printed Front & Back Black Ink
28 lb. Kraft

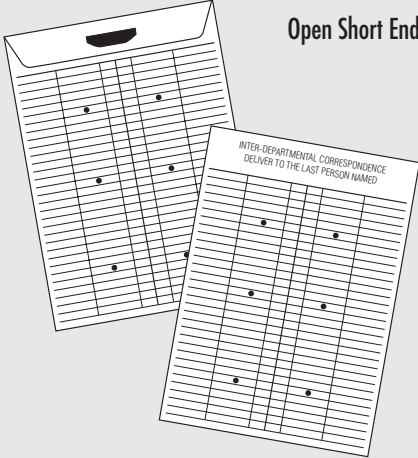


Item #	Size"	Qty/Box	Price Per 1,000
230-10	10 x 15	250	\$ 320.00
231-10	9 x 12	500	\$ 300.00
232-10	10 x 13	500	\$ 310.00

Item #	Size"	Qty/Box	Price Per 1,000
106451D	10 x 13	250	\$ 212.80

Item #	Size"	Qty/Box	Price Per 1,000
10011D	10 x 13 Brown	500	\$ 275.00
10021D	10 x 13 White	500	\$ 385.00
10131D	10 x 13 Orange	500	\$ 385.00
10151D	10 x 13 Blue	500	\$ 385.00

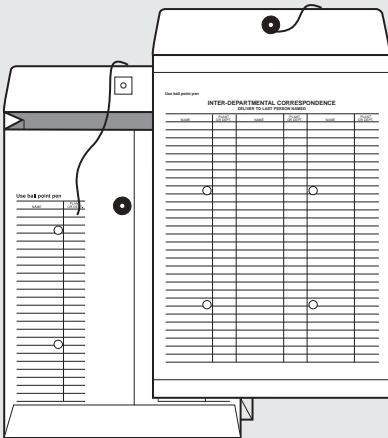
**TYVEK® INTER-DEPARTMENTAL
FLAT ENVELOPES**
with Peerless Tac™ (a reusable closing flap)



Open Short End /Catalog Style • 100 Spaces
Six Holes Drilled
Printed Front & Back Black Ink
14 lb. Tyvek®

Item #	Size"	Qty/Box	Price Per 1,000
20011D	10 x 13	500	\$ 502.50

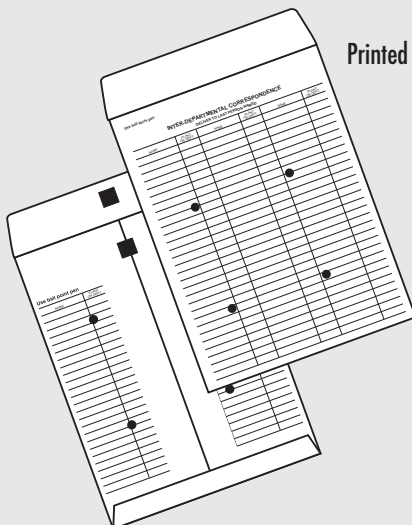
**TYVEK® INTER-DEPARTMENTAL
EXPANSION ENVELOPES**
with button & string closure



Open Short End /Catalog Style • 150 Spaces
Four Holes Drilled
Printed Front & Back Blue Ink
1 ½" Expansion
14 lb. Tyvek®

Item #	Size"	Qty/Box	Price Per 1,000
R99251D	10 x 13 x 1 ½	100	\$ 775.00

TYVEK® INTER-DEPARTMENTAL
with Velcro® closure



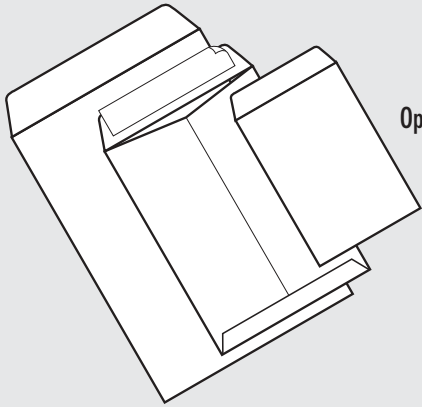
Open Short End /Catalog Style • 150 Spaces
Four Holes Drilled
Printed Front & Back Blue Ink
18 lb. Tyvek®

Item #	Size"	Qty/Box	Price Per 1,000
R23501D	9 ½ x 12 ½	100	\$ 675.00

Minimum order 5 boxes

SMALL OFFICE SPECIALS

Finally, real value in Tyvek® Envelopes from Walsh. Compare Walsh with any Superstore — you'll get wider selection and realistic pricing. Tyvek® by DuPont is super strong and offers protection to your important mailings. Light weight, strength and 25% post consumer material all from Tyvek®.

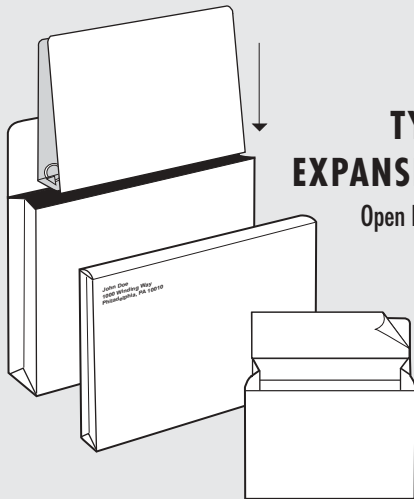


TYVEK® WHITE MAILERS

Open Short End/Catalog Style
Flat/No Expansion
Plain/No Border
Peel-n-Seal Gumming
14 lb. Tyvek®

Item #	Size "	Qty/Box	Price Per 100
408B	6 x 9	100	\$ 19.80
404B	6 ½ x 9 ½	100	\$ 22.00
407B	7 ½ x 10 ½	100	\$ 25.20
421B	9 x 12	100	\$ 24.90
430B	9 ½ x 12 ½	100	\$ 27.10
424B	10 x 13	100	\$ 28.70
475B	10 x 15	100	\$ 32.40
490B	12 x 15 ½	100	\$ 39.50

Minimum order 1 box



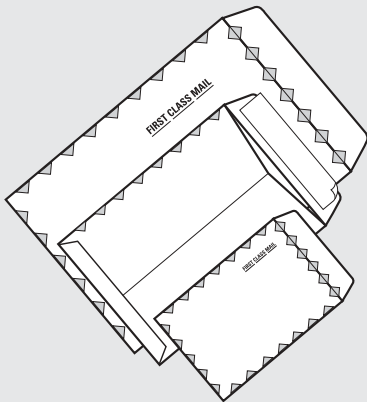
TYVEK® WHITE EXPANSION MAILERS

Open Long End/Booklet Style
Expansion
Plain/No Border
Peel-n-Seal Gumming
18 lb. Tyvek®

Item #	Size "	Qty/Box	Price Per 100
495B	10 x 13 x 2	100	\$ 69.35
485B	10 x 15 x 2	100	\$ 76.20
449B	12 x 16 x 2	100	\$ 94.40

			Price Per 50
499B	12 x 16 x 4	50	\$ 66.25

Minimum order 1 box

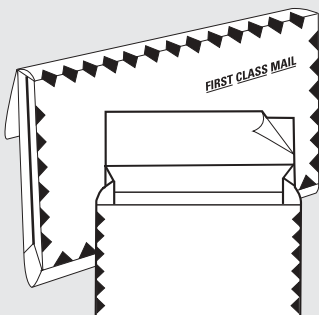


TYVEK® WHITE MAILERS

Open Short End/Catalog Style
Flat/No Expansion
First Class Green Border
Peel-n-Seal Gumming
14 lb. Tyvek®

Item #	Size "	Qty/Box	Price Per 100
402B	6 x 9	100	\$ 20.50
409B	6 ½ x 9 ½	100	\$ 23.30
426B	7 ½ x 10 ½	100	\$ 25.90
422B	9 x 12	100	\$ 26.60
431B	9 ½ x 12 ½	100	\$ 27.60
488B	10 x 13	100	\$ 29.60
487B	10 x 15	100	\$ 34.10
474B	12 x 15 ½	100	\$ 40.50

Minimum order 1 box



TYVEK® WHITE EXPANSION MAILERS

Open Long End/Booklet Style
Expansion
First Class Green Border
Peel-n-Seal Gumming
18 lb. Tyvek®

Item #	Size "	Qty/Box	Price Per 100
494B	10 x 13 x 2	100	\$ 83.85
484B	10 x 15 x 2	100	\$ 93.00
482B	12 x 16 x 2	100	\$ 112.60

			Price Per 50
498B	12 x 16 x 4	50	\$ 75.45

Minimum order 1 box

ORDERING INFORMATION FROM WALSH



General Questions

You can order from us toll-free phone or fax from the USA. Or just call to say hello, and talk with one of the Walshes. No obligation, our people are friendly and know their stuff. Customer Service Dept. 800-879-2574, Mon. through Fri. 9:00 am to 6:00 pm EST



Telephone Orders

USA Orders – Toll Free – 800-879-2574
 INTERNATIONAL Phone Orders – (010-1)-610-364-3150
 email address – Professor@walshenvelopes.com



Fax Us Your Order!

Fast, no hassle ordering. 24 hours a day. Use our order form and FAX in USA Toll Free – 800-925-7494 International Fax – (010-1)610-364-3190



Corporate & Institutional Buyers:

Established accounts may fax their purchase orders to 610-364-3190. New accounts should first call Customer Service for credit information at 610-364-3150. US Government purchases can be made with contact through EDI.



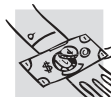
Speedy Shipping

All prices are quoted F.O.B. from our factories in Pennsylvania, Georgia or California. Some International shipments are made from the United Kingdom, we choose the location best suited to your destination. Usually, we ship your order within 24 hours via UPS, or Airmail to Alaska & Hawaii. FedEx, and other international handlers are available at your choice. We have weekly consolidated airfreight shipments to the UK, Europe and South America.



Prices and availability:

Prices shown and availability are subject to change without notice. If prices should change, we will process your order and notify you of any difference. We cannot be responsible for typographical errors. Some quantities limited.



Method of Payment:

All prices stated in US dollars. PA residents add 6% tax, Philadelphia residents add 7% tax. We accept checks, money orders, major credit cards and purchase orders.

Call us toll-free 24 hours a day, 7 days a week to charge your order: phone: 1-800-879-2574 fax: 1-800-925-7494

Ordered by and billing address:				Ship to: (Only if different from "ordered by")			
Name				Name			
Company Name				Company Name			
Address				Address			
City	State/Prov.	Zip/Postal Code		City	State/Prov.	Zip/Postal Code	
Country				Country			
Daytime Phone		Fax		Email		Website	
Signature							

Quantity	Product Code	Description	Unit Price	Amount
1				
2				
3				
4				
5				
6				
7				
8				
9				

Purchase order number (Established Accounts) _____

Charge to my: MasterCard Visa American Express Check or money order enclosed (US funds only)

Card Number: _____

Expiration Date: _____ / _____
(MONTH) (YEAR)

X _____
SIGNATURE (AS SHOWN ON CREDIT CARD)

Walsh Envelope Company

813 Bethel Avenue
 Aston, Pennsylvania 19014-3145
 800-879-2574 / 610-364-3150 **PHONE**
 800-925-7494 / 610-364-3190 **FAX**
Professor@walshenvelopes.com **EMAIL**
www.walshenvelopes.com **WEB SITE**



Service since 1927

Walsh Envelope Company

813 Bethel Avenue

Aston, Pennsylvania 19014-3145

800-879-2574 / 610-364-3150 PHONE

800-925-7494 / 610-364-3190 FAX

Professor@walshenvelopes.com EMAIL

www.walshenvelopes.com WEB SITE